

Brass Socket

BF 3410

Screwed BSPF

Pressure / Temperature Specifications

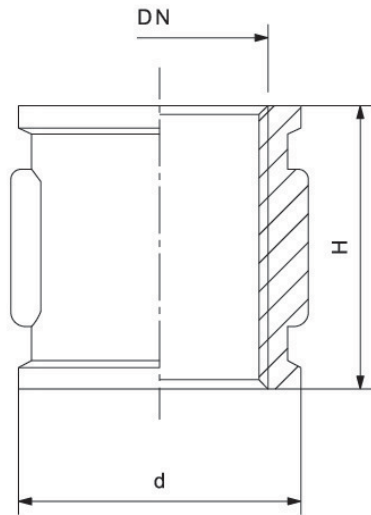
Pressure	PN10
Temperature	-10°C to 100°C

Material Specification

Body	Brass CW617N
------	--------------

Dimensions

DN	H	Kg
1/4"	25	0.03
3/8"	29	0.04
1/2"	32	0.07
3/4"	34	0.09
1"	43	0.13
1 1/4"	45	0.2
1 1/2"	52	0.26
2"	63	0.41



All information is sourced from our manufacturer's data and is intended for guidance only - Leengate Valves can accept no liability for changes, omissions or errors.