

Brass Plug

BF 3480 / BF 3480 FLG

Screwed BSPP

Pressure / Temperature Specifications

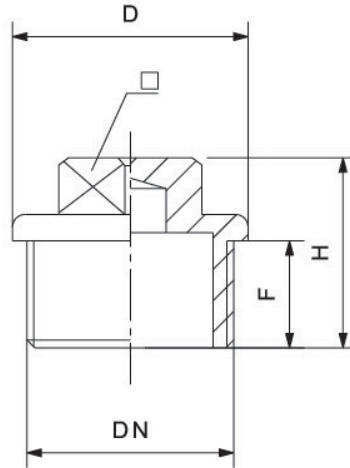
Pressure	PN10
Temperature	-10°C to 100°C

Material Specification

Body	Brass CW617N
------	--------------

Dimensions

DN	H	F	Kg
1/4"	14	9	0.02
3/8"	14	10	0.02
1/2"	15	10	0.05
3/4"	18	11	0.07
1"	18	12	0.11
1 1/4"	37	22	0.16
1 1/2"	39	23	0.21
2"	45	25	0.31



All information is sourced from our manufacturer's data and is intended for guidance only - Leengate Valves can accept no liability for changes, omissions or errors.