

# Brass Cap

BF 3490

Screwed BSPP

## Pressure / Temperature Specifications

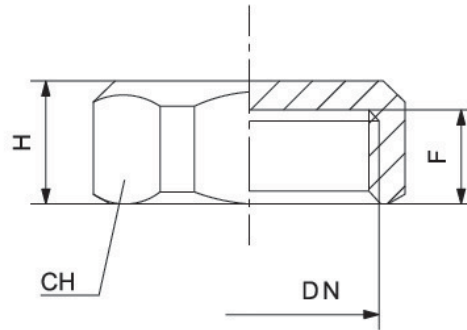
Pressure	PN10
Temperature	-10°C to 100°C

## Material Specification

Body	Brass CW617N
------	--------------

## Dimensions

DN	H	F	Kg
¼"	10	8	0.02
⅜"	10	8	0.02
½"	11	10	0.04
¾"	13	11	0.06
1"	15.5	12	0.08
1¼"	25.5	18	0.17
1½"	26	18	0.22
2"	30	20	0.36



All information is sourced from our manufacturer's data and is intended for guidance only - Leengate Valves can accept no liability for changes, omissions or errors.