

Tank Level Gauge

LV 1135

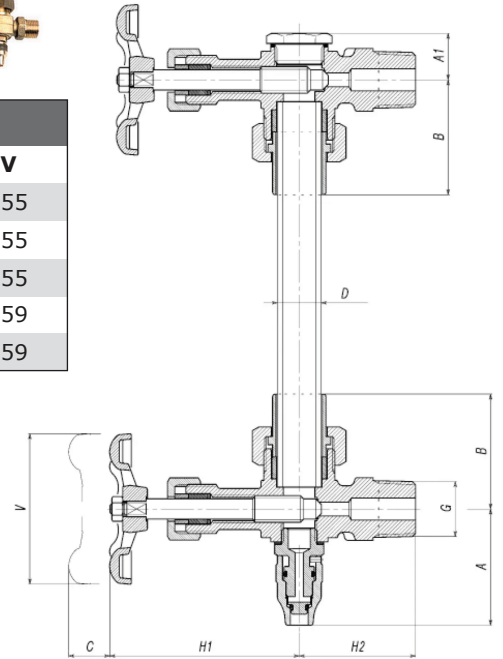
Brass Needle Valve Level Gauge

Pressure / Temperature Specifications

Pressure	PN10
Temperature	-10°C to 90°C

Dimensions

Size	D	A	A1	B	H1	H2	C	V
3/8" x 13mm	13	43	19	38	71	38	17	55
1/2" x 13mm	13	43	19	42	71	42	18	55
1/2" x 16mm	16	43	19	42	71	42	18	55
3/4" x 18mm	18	48	24	46	83	45	15	59
3/4" x 20mm	20	48	24	46	83	45	15	59



Last updated 13/03/2025