

Stainless Steel Sight Glass / Indicator

LV 1355

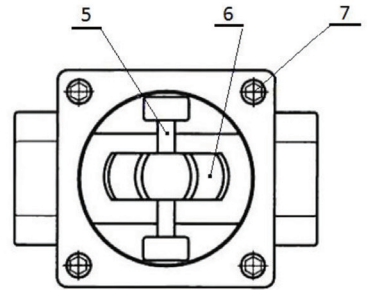
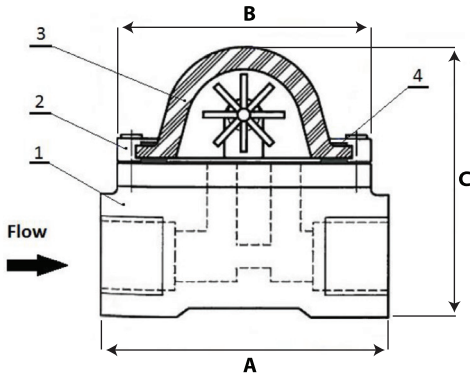
Screwed BSPP, CF8M Stainless Steel Body, Tempered Glass Dome, Polypropylene Rotor



Pressure / Temperature Specifications	
Pressure	PN16
Temperature	-5°C to 80°C

Material Specifications	
Body	Stainless Steel
Cover	Stainless Steel
Dome	Toughened Glass
Gasket	FPM
Rotor Guide	Stainless Steel
Rotor	Polypropylene
Bolt	Stainless Steel

Dimensions				
DN	A	B	C	Kg
1/4"	76	63	65	0.5
3/8"	76	63	65	0.7
1/2"	76	63	65	1.1
3/4"	89	63	83	1.2
1"	89	63	83	1.4



Flow Rates			
DN	Min (L/m)	Max (L/m)	ΔP (v=2m/s) bar
1/4"	0.8	31.0	0.15
3/8"	0.9	41.0	0.18
1/2"	1.1	56.0	0.21
3/4"	1.4	95.0	0.2
1"	2.0	145.0	0.5

All information is sourced from our manufacturer's data and is intended for guidance only - Leengate Valves can accept no liability for changes, omissions or errors.