

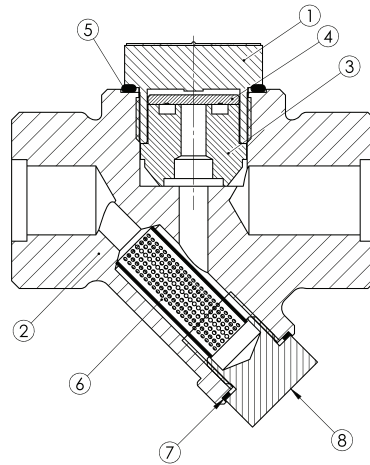
# Steel Thermodynamic Steam Trap (with Air Vent)

Screwed BSPP, Carbon Steel Body, Stainless Steel Cover & Internals, Built-in Filter, Integral Air Vent

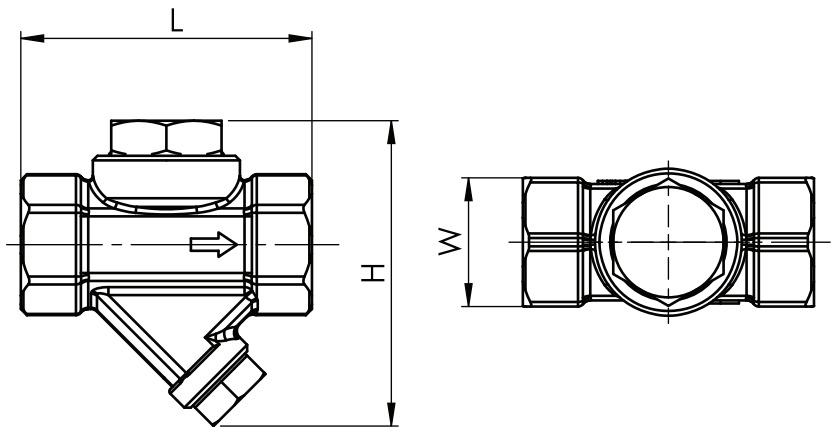


Pressure/Temperature Specifications	
Maximum Pressure	PN40
Maximum Temperature	400°C
Maximum Differential Pressure	PN32

Material Specifications	
1. Cover	AISI 303 Stainless Steel
2. Body	C22.8 Carbon Steel
3. Seat	AISI 420 Stainless Steel
4. Disc	AISI 420 Stainless Steel
5. Cover Gasket	AISI 304 Stainless Steel
6. Filter	AISI 304 Stainless Steel
7. Filter Gasket	AISI 304 Stainless Steel
8. Cap Nut	ST37-2 Steel



Dimensions				
Size	L	H	W	Kg
1/2"	95	100	42	1.8
3/4"	95	100	42	1.7
1"	95	100	42	1.6



Differential Pressure (Bar)									
Size	0.3	0.7	1	1.5	2	3	4	5	7
1/2" Kg/h	120	170	180	200	250	320	360	420	475
3/4" Kg/h	120	170	180	200	250	320	360	420	475
1" Kg/h	120	170	180	200	250	320	360	420	475
	<b>8</b>	<b>9</b>	<b>10</b>	<b>14</b>	<b>20</b>	<b>25</b>	<b>30</b>	<b>32</b>	
1/2" Kg/h	530	475	600	750	920	975	1100	1200	
3/4" Kg/h	530	475	600	750	920	975	1100	1200	
1" Kg/h	530	475	600	750	920	975	1100	1200	