

# Brass Mini Check Valve

Screwed BSPP, Brass Body, POM Disc, Opening Pressure 0.02 Bar

Female x Male - **LV 2233**

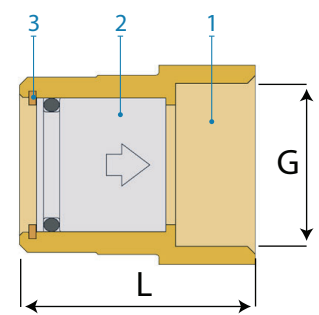
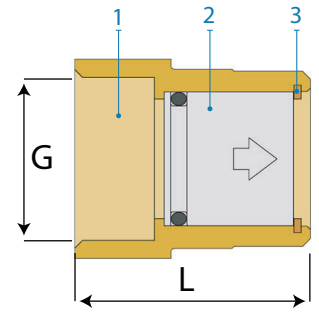
Male x Female - **LV 2234**



| Pressure / Temperature Specifications |                                   |
|---------------------------------------|-----------------------------------|
| Pressure                              | PN16                              |
| Temperature                           | 0°C to 95°C (-20°C to 110°C Peak) |

| Material Specifications |                    |
|-------------------------|--------------------|
| 1. Body                 | CW614N Brass       |
| 2. Disc                 | POM + NBR          |
| 3. Spring               | Phosphorous Bronze |

| Dimensions |       |    |      |
|------------|-------|----|------|
| Size (G)   |       | L  | Kg   |
| 1/2"       | F x M | 30 | 0.05 |
| 3/4"       | F x M | 36 | 0.08 |
| 1"         | F x M | 42 | 0.15 |
| 1/2"       | M x F | 30 | 0.05 |
| 3/4"       | M x F | 36 | 0.08 |
| 1"         | M x F | 42 | 0.15 |



LV 2233 / LV 2234

Last updated 17/03/2025