

Modulating Differential Pressure Control Valve

LV 2481 DL

Flanged PN16, Cast Iron Body, EPDM Seal



Pressure / Temperature Specifications

Pressure	PN16
Temperature	-10°C to 120°C

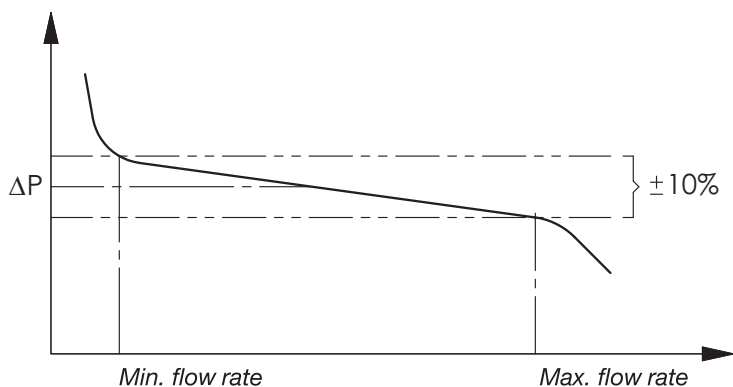
Dimensions

DN	A	H	H1	B	C	F	n x D	Kg
2½"	290	170	310	200	185	145	4 x 18	21.6
3"	310	182	400	242	200	160	8 x 18	28.1
4"	350	200	414	242	220	180	8 x 18	33.6
5"	400	275	436	242	250	210	8 x 18	46.4
6"	480	300	460	242	285	240	8 x 22	75.4

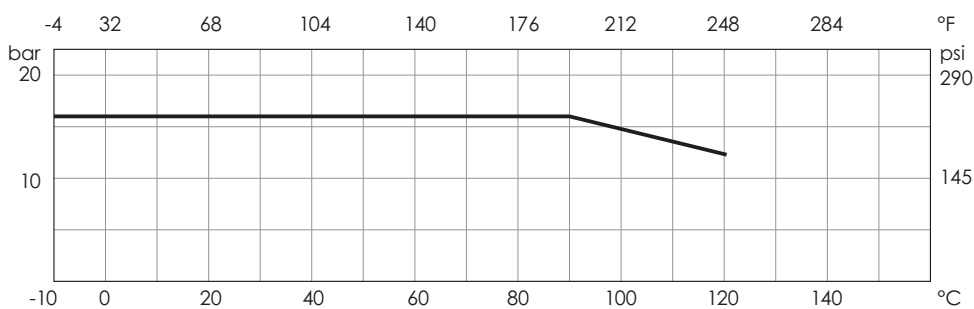
Head Loss Table (Kvs (M3/h))

DN	Kvs (M³/h)
2½"	44.55
3"	78.33
4"	104.63
5"	152.34
6"	204.00

Differential Pressure ΔP Deviation vs Flow Rate

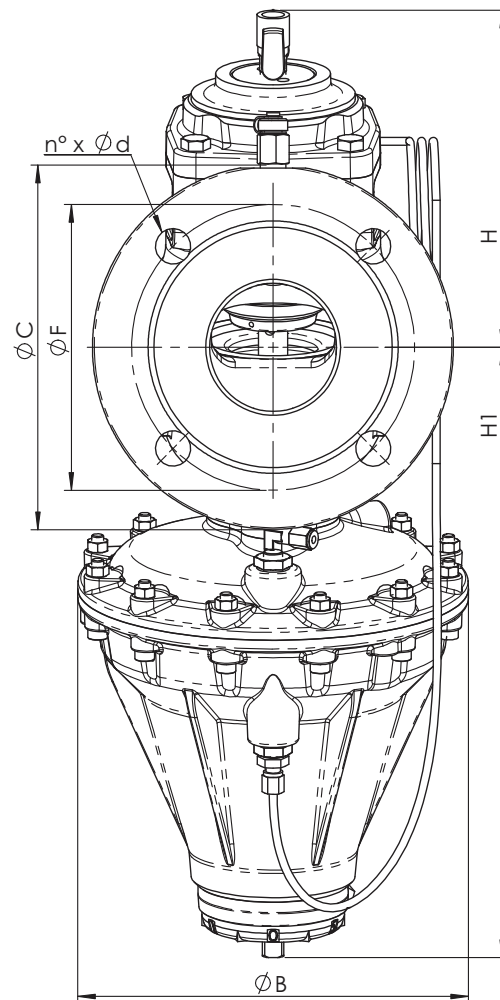


Pressure/Temperature Chart



Differential Pressure ΔP (mbar) - Position Indicator

Position Indicator	Differential Pressure ΔP (mbar)						
	200	300	400	500	600	800	1000
2½"	0	1	1.5	2	2.3	2.8	3
3"	0	0.5	0.8	1.2	1.7	3	3.5
4"	0	1	1.5	2	2.7	3.5	3.8
5"	0	0.5	1	1.5	2	3	3.6
6"	0	0.5	1	1.5	2	3	-



Component / Material List on Next Page

Modulating Differential Pressure Control Valve

LV 2481 DL

Material Specifications		
1.	Body	Cast Iron EN GJL 250
2.	Bonnet	Cast Iron EN GJL 250
3.	Nut	Aluminium
4.	Spring Housing Bonnet	Aluminium
5.	Spring Housing	Aluminium
6.	Spring	Stainless Steel AISI 302
7.	Shutter	Aluminium
8.	Shutter Cover	Brass CuZn40Pb2
9.	Guide	Aluminium
10.	Plate	Brass CuZn40Pb2
11.	Bushing	RPTFE
12.	Stem	Brass CuZn40Pb2
13.	Membrane Stem	Brass CuZn40Pb2
14.	Stem Guide	Brass CuZn40Pb2
15.	Bushing	RPTFE
16.	Hex Nut	Brass CuZn40Pb2
17.	Overpressure Relief Shutter	Brass CuZn40Pb2
18.	Overpressure Relief Spring	Stainless Steel AISI 302
19.	Overpressure Relief Cap	Stainless Steel AISI 304
20.	Membrane	EPDM
21.	Membrane Bearing Plate	Aluminium
22.	Membrane Upper Bearing Plate	Stainless Steel AISI 304
23.	Spring Loading Screw	Brass CuZn40Pb2
24.	Spring Support	Aluminium
25.	Anti-rotation Pin	Brass CuZn40Pb2
26.	Differential Pressure Regulation Indicator	Polyamide
27.	Cam	Aluminium
28.	Spacer	Stainless Steel AISI 304
29.	Spring Washer	Stainless Steel AISI 304
30.	Regulating Needle Housing	Brass CuZn40Pb2
31.	Regulating Needle	Brass CuZn40Pb2
32.	Regulating Needle Position Indicator	Brass CuZn40Pb2
33.	Washer	Stainless Steel AISI 304
34.	Bushing	Brass CuZn40Pb2
35.	O-ring	EPDM

