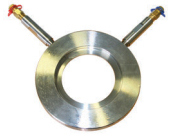


# Stainless Steel Orifice Plate

LV 2497

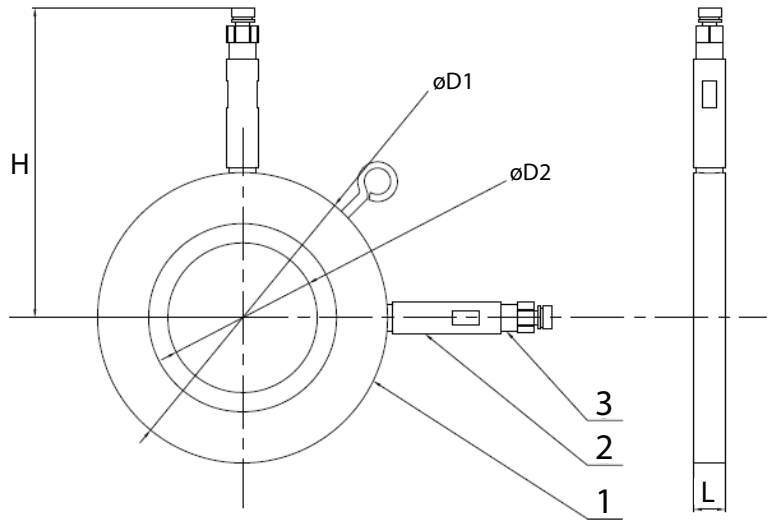
To fit PN10/16/25 Flanges 1½" to 3", PN16 Flanges 4" to 12",  
304 Stainless Steel, Fitted with 2 Test Points & Extensions



Pressure/Temperature Specifications	
Pressure	PN25 ½" to 3"
	PN16 4" to 12"
Temperature	-10°C to 120°C

Material Specifications	
1. Body	304 Stainless Steel
2. Extensions	304 Stainless Steel
3. Test Points	Brass

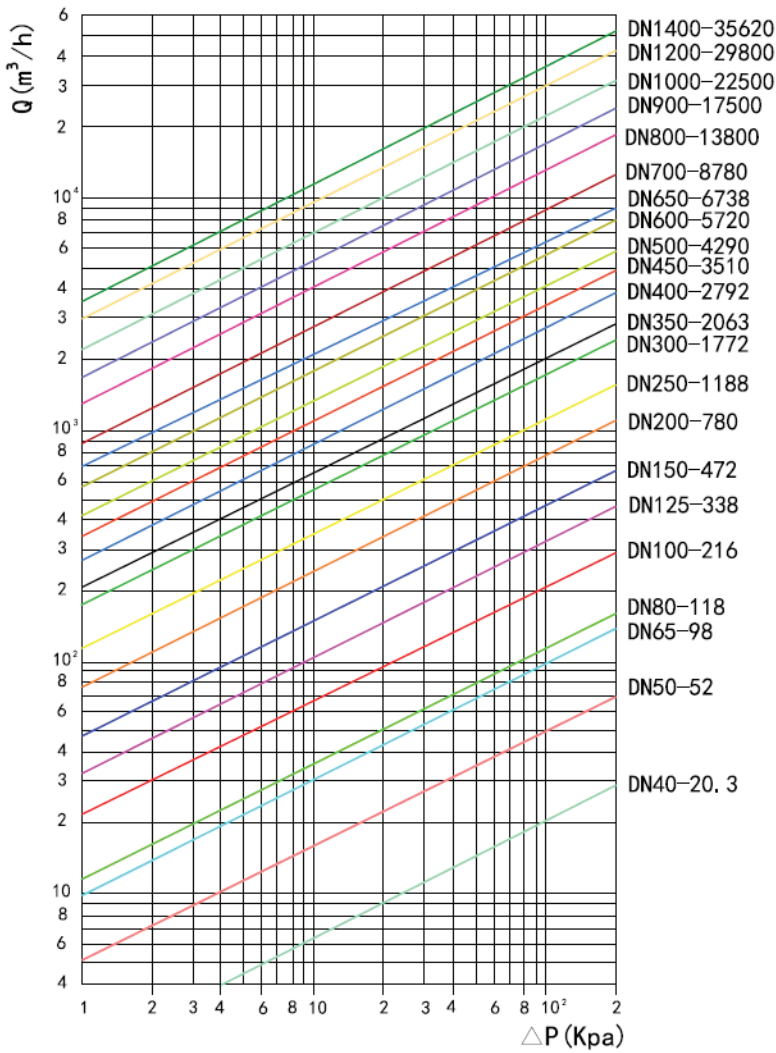
Dimensions					
Size	ØD1	ØD2	L	H	Kg
1½"	92	27.2	18	139	1.5
2"	105	38.8	18	146	1.5
2½"	127	53.6	18	156	1.5
3"	142	62.9	18	164	1.8
4"	162	83.5	18	174	2.2
5"	192	104.7	18	189	2.6
6"	216	123.1	18	201	3.0
8"	273	162.0	18	23	4.4
10"	328	202.6	18	257	5.7
12"	384	243.0	18	285	7.1



# Stainless Steel Orifice Plate

LV 2497

Flow Rate Chart



Flow Rates (KV)

Size	KV
1½"	20.3
2"	52.0
2½"	98.0
3"	118.0
4"	216.0
5"	338.0
6"	472.0
8"	780.0
10"	1,188.0
12"	1,772.0