

Brass Bayonet Fastening with Hose Connection

LV 3302

Swift Type, Standard Bayonet Fitting, Hose Tail Connection

Pressure / Temperature Specifications

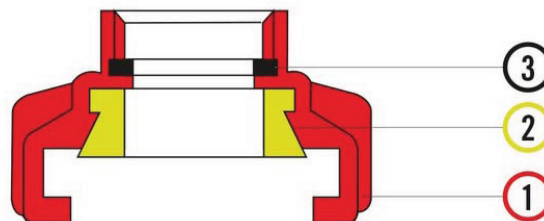
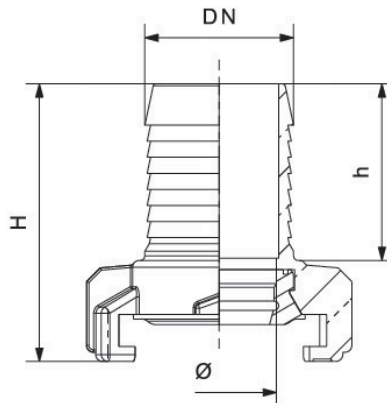
Pressure	PN16
Temperature	-10°C to 90°C

Material Specification

1. Body	Brass CW617N
2. Gasket	NBR
3. Gasket	NBR

Dimensions

DN	Ø	H	h	Kg
½"	10	46.5	24.5	0.1
¾"	15.5	52	30	0.11
1"	20	58	36	0.11
1¼"	26	60.5	38.5	0.15
1½"	32	77.5	55	0.16



All information is sourced from our manufacturer's data and is intended for guidance only - Leengate Valves can accept no liability for changes, omissions or errors.