

Brass Ball Valve - Rotating Flanges

LV 4166

Steel Plated Rotating Flanges to fit PN16, Nickel Plated Brass Body,
Full Bore, Lever Operated

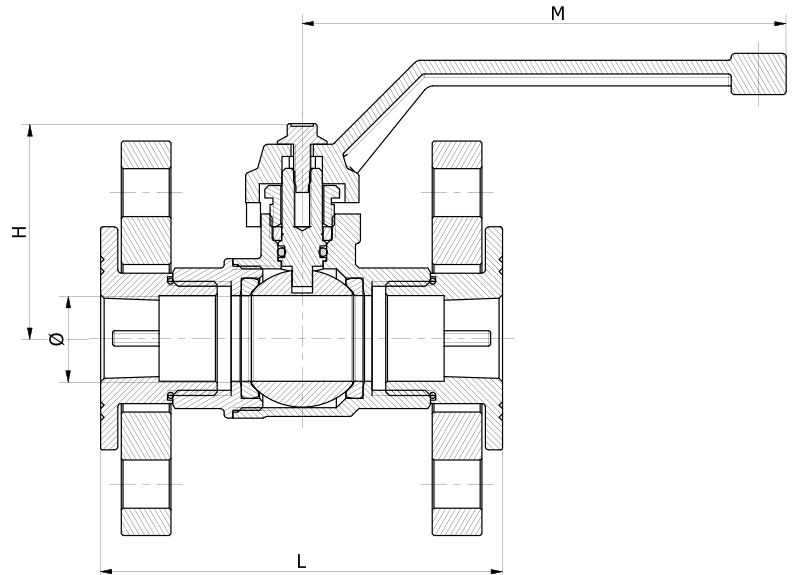


Pressure / Temperature Specifications

Pressure	PN16
Temperature	-10°C to 100°C

Material Specifications

Body	Nickel Plated Brass
Ball	Brass
Seat	PTFE
Stem	Brass
Gland	PTFE (Absent on 2½" & 3")
Seat O-ring	NBR
Stem O-ring	Viton (On 4" only)
Handle	Steel (Plastic Coated on 2½" & 3")
Flanges	Steel



Dimensions

Size	\emptyset	L	H	M	Kv	Kg
½"	15	95	89	110	30.0	1.51
¾"	20	110	92	110	55.6	2.21
1"	25	120	98	142	85.0	2.98
1¼"	32	130	108	198	120.5	4.41
1½"	39	146	114	198	240.0	5.68
2"	48	167	131	198	360.0	7.3
2½"	64	190	92	240	410.0	10.87
3"	78	214	103	240	470.0	13.8
4"	100	254	127	320	866.0	18.6

Head Loss Chart

