

Brass Ball Valve - Degreased

LV 4490 D

Screwed BSPP, Full Bore, Bagged and Labelled Suitable for Industrial Oxygen,
Black Steel Lever

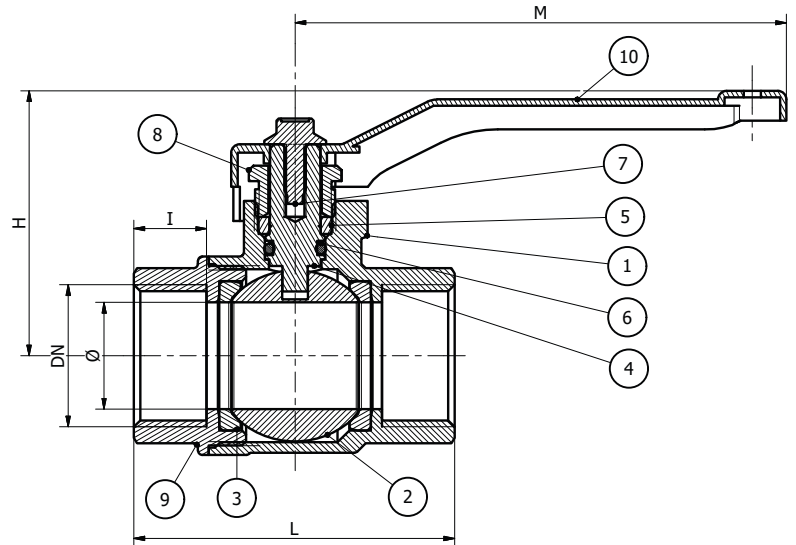


Pressure / Temperature Specifications

Pressure	PN40
Temperature	-10°C to 100°C

Material Specifications

1. Body	EN12420-CW617N Brass
2. Ball	EN12164-CW614N Brass
3. Seat	PTFE
4. Stem	EN12164-CW614N Brass
5. Gasket	PTFE
6. O-ring	Viton
7. Screw	UNI7356-CB4FF Steel
8. Nut	EN12164-CW614N Brass
9. Sleeve	EN12420-CW617N Brass
10. Lever	EN1011-DD13



Dimensions

Size	L	Ø	I	H	M	Kv	Kg
½"	56	15	14	53	92	30.0	0.25
¾"	66	20	16	56	92	55.6	0.37
1"	75	25	17	62	115	85.0	0.58
1¼"	85	32	18	81	150	120.5	0.92
1½"	97	39	19	86	150	240.0	1.2
2"	109	48	21	92.5	150	360.0	1.85

Head Loss Chart

