

Brass Ball Valve - Rotating Flanges - Extended Neck - ISO Top

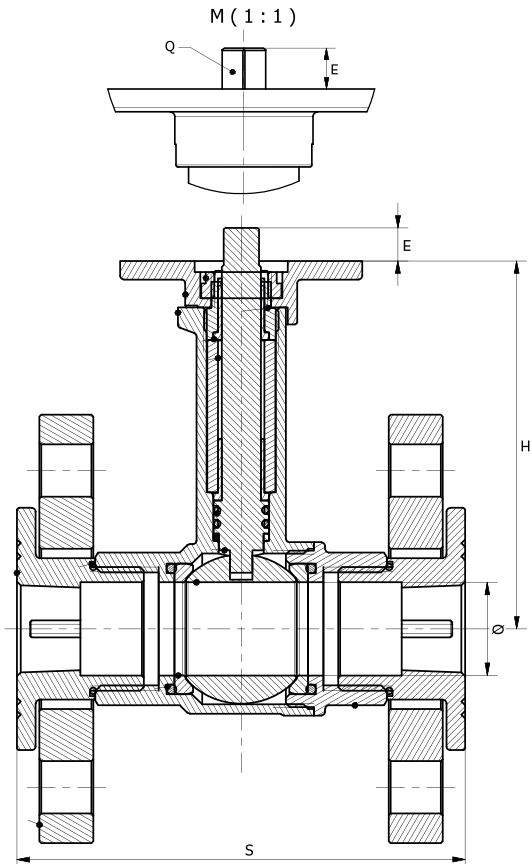
LV 4506

Steel Plated Rotating Flanges to fit PN16, ISO 5211 for Direct Mount,
Nickel Plated Brass Body, Full Bore



Pressure / Temperature Specifications	
Pressure	PN16
Temperature	-10°C to 100°C

Material Specifications	
Body	Nickel Plated Brass
Ball	Chrome Plated Brass
Seat O-ring	NBR (Absent on 1/2")
Mounting Plate	Nickel Plated Brass
Packing Nut	Brass
Gland Nut	Brass
Thrust Washer	PTFE
Stem Washer	PTFE
Stem	Brass
Stem O-ring	NBR
Seat	PTFE
Body Connector	Nickel Plated Brass
Spacer	Brass (Absent on 2 1/2", 3" & 4")
Flanges	Steel



Dimensions								
Size	Ø	S	H	E	Q	Nm	Kv	Kg
1/2"	15	95	89	8	11	4.0	30.0	1.82
3/4"	20	110	92	8	11	4.0	55.6	2.57
1"	25	120	98	8	11	5.0	85.0	3.0
1 1/4"	32	130	108	10	11	5.0	120.5	4.85
1 1/2"	39	146	114	10	11	6.0	240.0	5.87
2"	48	167	131	10	11	7.0	360.0	8.17
2 1/2"	64	190	92	14	11	15.0	410.0	10.45
3"	78	214	103	14	11	18.0	470.0	13.4
4"	100	254	127	17	17	18.0	866.0	19.0

