

# Brass Ball Valve - Extended Neck - ISO Top

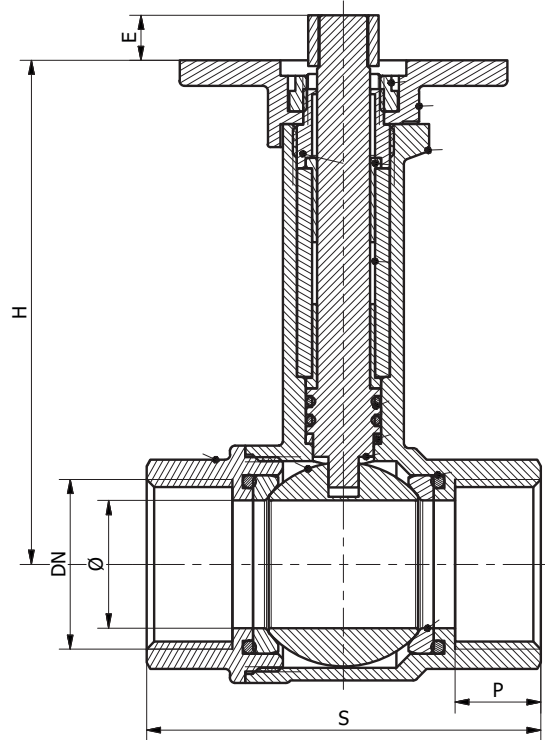
LV 4509

Screwed BSPP, For Use with Thermal Insulation, ISO 5211 for Direct Mount,  
 Note: Neck is Non-Rotating.



Pressure / Temperature Specifications	
Pressure	PN40
Temperature	-10°C to 100°C

Material Specifications	
Body	Nickel Plated Brass
Ball	Chrome Plated Brass
Seat O-ring	NBR
Mounting Plate	Nickel Plated Brass
Packing Nut	Brass
Gland Nut	Brass
Thrust Washer	PTFE
Stem Washer	PTFE
Stem	Brass
Stem O-ring	NBR
Seat	PTFE
Body Connector	Nickel Plated Brass
Spacer	Brass



Dimensions										
Size	S	Ø	P	H	E	Q	ISO	Nm	Kv	Kg
1/2"	56	15	14	89	8	11	F03	4.0	30.0	0.36
3/4"	68	20	16	92	8	11	F03	4.0	55.6	0.56
1"	78	25	17	98	8	11	F03	5.0	85.0	0.98
1 1/4"	90	32	18	108	10	11	F05	5.0	120.5	1.44
1 1/2"	100	39	19	114	10	11	F05	6.0	240.0	1.81
2"	115	48	21	131	10	11	F05	7.0	360.0	2.89

