

Ductile Iron Gate Valve - BSI V7 Gas Approved

LV 5134 A

Flanged PN16, Epoxy Coated Ductile Iron Body, Double Seated NBR Encapsulated Wedge, Clockwise Closing, Approved to GIS/V7-1:2022 and EN13774



Pressure/Temperature Specifications

Pressure	PN7
Temperature	-20°C to 60°C

Material Specifications

1. Body	EN-GJS-500-7 Ductile Iron
2. Bonnet	EN-GJS-500-7 Ductile Iron
3. Wedge	NBR Encapsulated
4. Wedge Nut	EN-GJS-500-7 Ductile Iron
5. Guide Shoe	High Temperature Dezincification Resistant Brass
6. Stem	POM
7. Gland Bush	AISI 420 Stainless Steel
8. Bonnet Gasket	High Temperature Dezincification Resistant Brass
9. O-ring Seal	NBR
10. Dust Seal	NBR
11. Bonnet Screws	A2-70 Stainless Steel
12. Bottom Washer	POM
13. Acetal Circlip	Plastic
14. Vent Plug	AISI 420 Stainless Steel
15. Cap Top	EN-GJS-500-7 Ductile Iron

KV Values (m³/h)

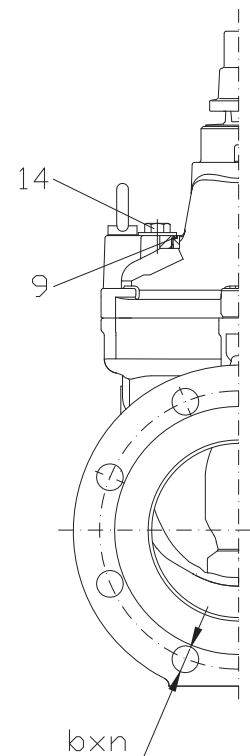
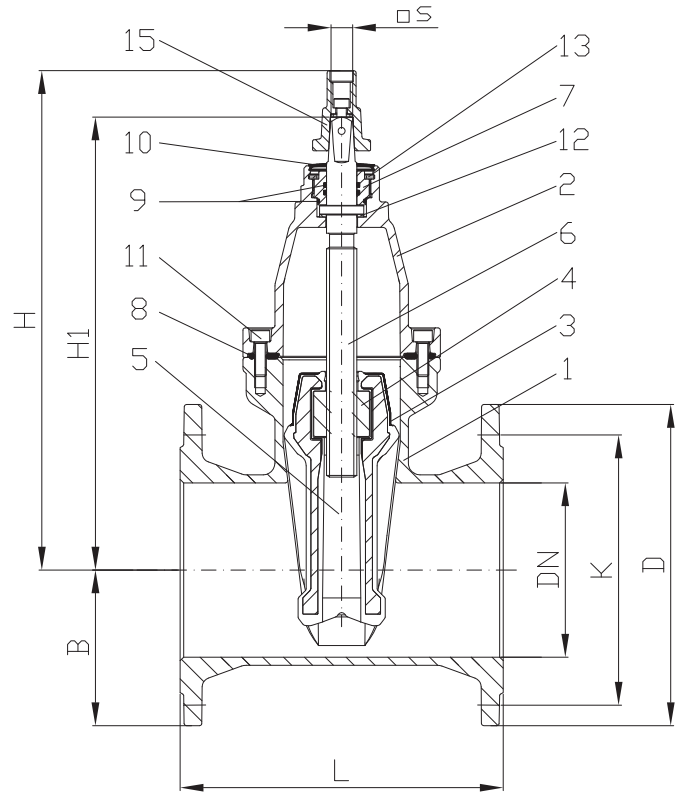
Size	2"	3"	4"	6"	8"	10"	12"
KV	198	654	1252	2818	5601	8751	12602

Turns to Open/Close

Size	2"	3"	4"	6"	8"	10"	12"
Turns	9¾	11½	14¼	20¼	18	21¾	26⅓

Dimensions

Size	L	H1	H	B	K	b x n	D	□S	Kg
2"	178	254	303	75	125	19 x 4	165	14.3	14.7
3"	203	265	308	95	160	19 x 8	200	17.3	18.6
4"	229	299	342	102	180	19 x 8	220	19.3	21.6
6"	267	390	435	134	240	23 x 8	285	19.3	39.3
8"	292	490	563	165	295	23 x 12	340	24.3	65.3
10"	330	562	635	196	355	28 x 12	405	27.3	88.6
12"	356	642	715	225	410	28 x 12	460	27.3	137.0



2½" on Page 2

Ductile Iron Gate Valve - BSI V7 Gas Approved

LV 5134 A



Pressure/Temperature Specifications

Pressure	PN16
Temperature	-20°C to 60°C

Material Specifications

1. Body	EN-GJS-500-7 Ductile Iron
2. Bonnet	EN-GJS-500-7 Ductile Iron
3. Wedge	NBR Encapsulated
	EN-GJS-500-7 Ductile Iron
4. Wedge Nut	High Temperature
	Dezincification Resistant Brass
5. Guide Shoe	POM
6. Stem	AISI 420 Stainless Steel
7. Gland Bush	High Temperature
	Dezincification Resistant Brass
8. Bonnet Gasket	NBR
9. O-ring Seal	NBR
10. Dust Seal	NBR
11. Bonnet Screws	A2-70 Stainless Steel
12. Bottom Washer	POM
13. Acetal Circlip	Plastic

Turns to Open/Close

Size	2½"
Turns	9¾

Dimensions

Size	L	H	B	K	b x n	D	□S	Kg
2½"	170	246	85	145	19 x 4	185	17.3	15.3

