

Cast Iron Globe Valve - Bellow Seal Type

Pressure/Temperature Rating

| | |
|-------------|----------------|
| Pressure | PN16 Rated |
| Temperature | -10°C to 300°C |

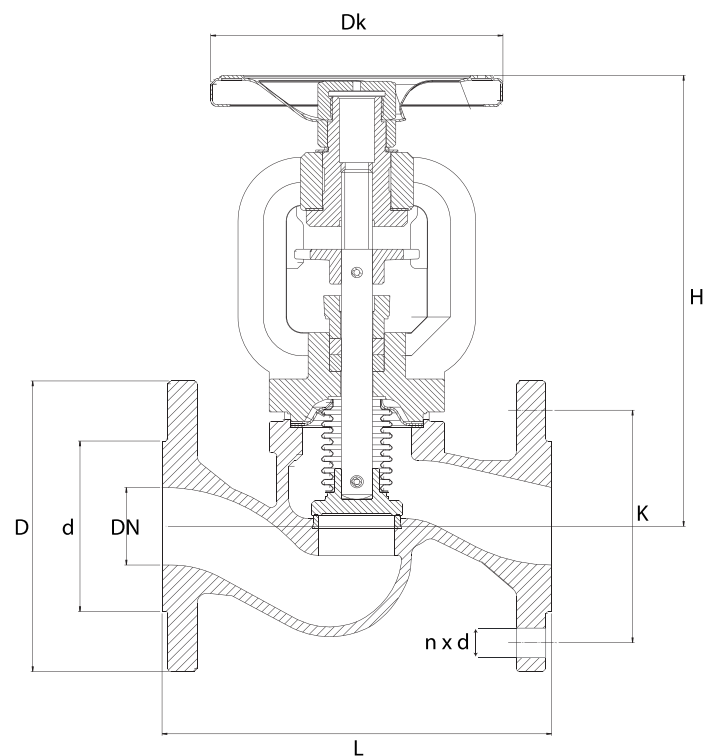
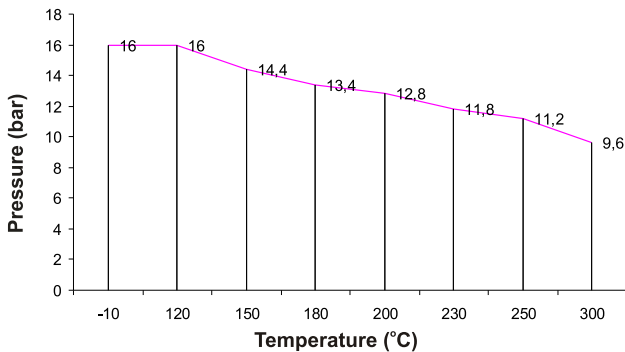
Material List

| | |
|----------------|--------------------|
| Body | EN-GJL-250 |
| Seat Ring | X12Cr13 |
| Bonnet | EN-GJS-400-18-LT |
| Stem | X20Cr13 |
| Handwheel | Steel |
| Gland | 11SMnPb30 |
| Disc | X20Cr13 |
| Bellow | X6CrNiMoTi-17-12-2 |
| Sleeve | 11SMnPb30 |
| Gland Packing | Graphite |
| Bonnet Gasket | Graphite + CrNiSt |
| Hexagon Bonnet | 8.8 |

Flanged PN16, Cast Iron Body & Bonnet,
Stainless Steel Disc, Stem & Seat,
Graphite Packing



Pressure/Temperature in accordance with EN 1092-2: 1997



Specifications

| DN | D | d | K | n x d | Dk | h | L | H | Kg | Kv |
|-----|-----|-----|-----|---------|-----|----|-----|-----|-------|-------|
| 15 | 95 | 46 | 65 | 4 x 14 | 125 | 5 | 130 | 178 | 3.2 | 5.9 |
| 20 | 105 | 56 | 75 | 4 x 14 | 125 | 5 | 150 | 178 | 3.9 | 7.4 |
| 25 | 115 | 65 | 85 | 4 x 14 | 125 | 7 | 160 | 193 | 4.6 | 9.4 |
| 32 | 140 | 76 | 100 | 4 x 19 | 125 | 8 | 180 | 201 | 6.5 | 18.0 |
| 40 | 150 | 84 | 110 | 4 x 19 | 150 | 10 | 200 | 224 | 9.0 | 30.0 |
| 50 | 165 | 99 | 125 | 4 x 19 | 150 | 13 | 230 | 228 | 11.0 | 41.0 |
| 65 | 185 | 118 | 145 | 4 x 19 | 175 | 17 | 290 | 270 | 15.8 | 70.0 |
| 80 | 200 | 132 | 160 | 8 x 19 | 200 | 20 | 310 | 295 | 20.5 | 115.0 |
| 100 | 220 | 156 | 180 | 8 x 19 | 250 | 25 | 350 | 325 | 35.0 | 181.0 |
| 125 | 250 | 184 | 210 | 8 x 19 | 300 | 32 | 400 | 380 | 49.0 | 225.0 |
| 150 | 285 | 211 | 240 | 8 x 23 | 400 | 38 | 480 | 427 | 76.0 | 364.0 |
| 200 | 340 | 266 | 295 | 12 x 23 | 500 | 50 | 600 | 569 | 130.5 | 725.0 |