

Stainless Steel Ball Valve - Two Piece - 210 Bar



LV 6210

Screwed BSPP, Full Bore, Stainless Steel Welded Body, Stainless Steel Ball & Stem, RTFE Seats 1/4" to 1", PVDF Seats 1 1/4" to 2", Anti-blowout Stem, Anti-static Device, Locking Lever

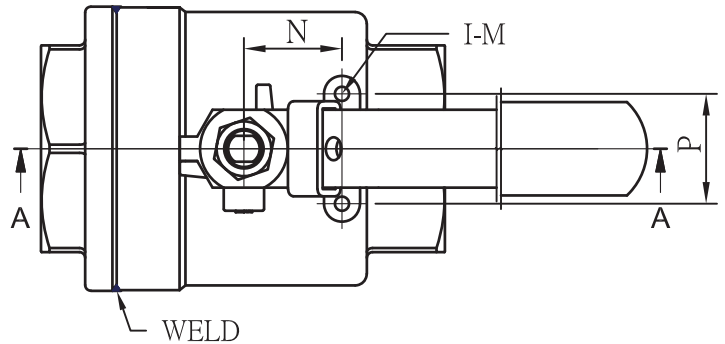
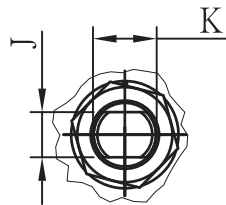
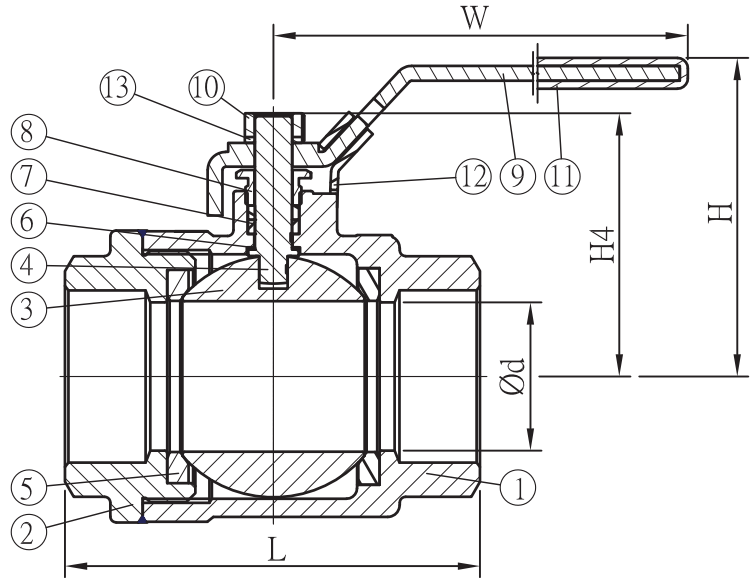


Pressure/Temperature Specifications

Pressure	PN210
Temperature	-29°C to 180°C 1/4" to 1"
	-29°C to 150°C 1 1/4" to 2"

Material Specifications

1. Body	1.4408 Stainless Steel
2. Cap	1.4408 Stainless Steel
3. Ball	CF8M Stainless Steel
4. Stem	AISI 316 Stainless Steel
5. Seat	1/4" to 1" RTFE 1 1/4" to 2" PVDF
6. Thrust Washer	RTFE
7. Stem Seal	RTFE
8. Gland Nut	AISI 304 Stainless Steel
9. Handle	AISI 430 Stainless Steel
10. Handle Nut	AISI 304 Stainless Steel
11. Handle Sleeve	Plastic
12. Lock Device	AISI 430 Stainless Steel
13. Stem Washer	AISI 304 Stainless Steel



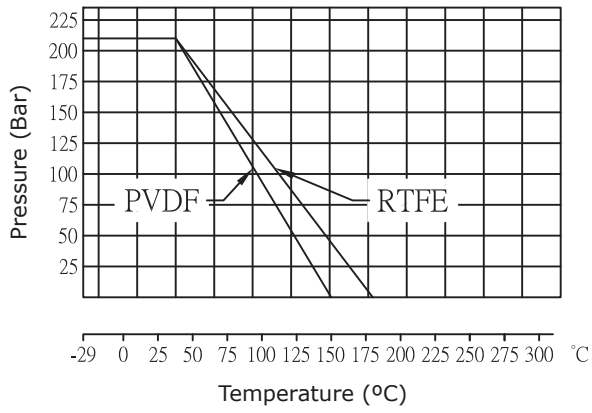
Dimensions

Size	Ød	L	W	H	H4	N	P	I	M	J	K	Kg
1/4"	11.6	60.5	103	53	42.4	12.5	28.5	2	1/4 20 UNC	5.0	5/16	0.31
3/8"	12.7	60.5	103	53	42.4	12.5	28.5	2	1/4 20 UNC	5.0	5/16	0.31
1/2"	15	62.5	103	53	42.4	12.5	28.5	2	1/4 20 UNC	5.0	5/16	0.34
3/4"	20	77	123	65	52.3	21	34.8	2	1/4 20 UNC	6.5	3/8	0.62
1"	25.4	90	161	77	63.1	22.5	34.8	2	1/4 20 UNC	8.0	7/16	0.78
1 1/4"	32	103	161	82	67.7	23.5	38.1	2	1/4 20 UNC	8.0	7/16	1.35
1 1/2"	38	120	253	98.5	78.9	23.5	38.1	2	1/4 20 UNC	9.0	1/2	1.91
2"	50.8	140	253	107.5	87.7	34	38.1	2	1/4 20 UNC	9.0	1/2	2.8

Stainless Steel Ball Valve - Two Piece - 210 Bar

LV 6210

Pressure / Temperature Chart



Torque (Nm, without Safety)

Size	Nm
1/4"	6.0
3/8"	6.0
1/2"	7.0
3/4"	10.0
1"	13.0
1 1/4"	50.0
1 1/2"	68.0
2"	100.0

Last updated 05/06/2025