

# Stainless Steel Ball Valve - Vented

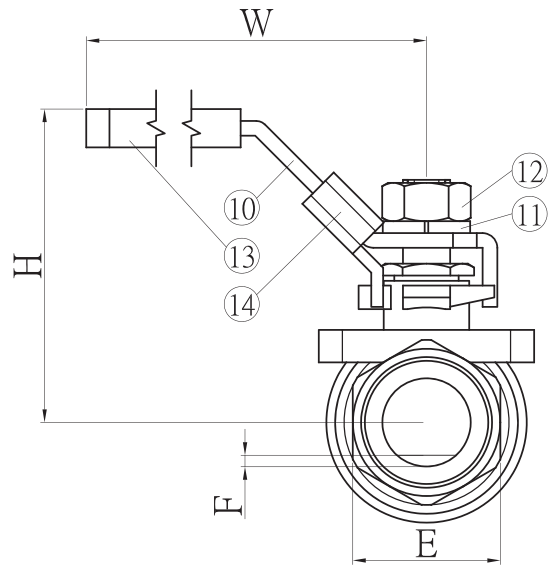
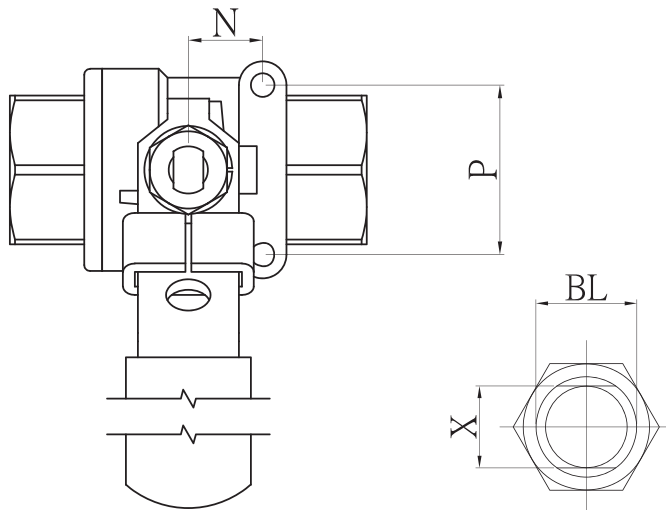
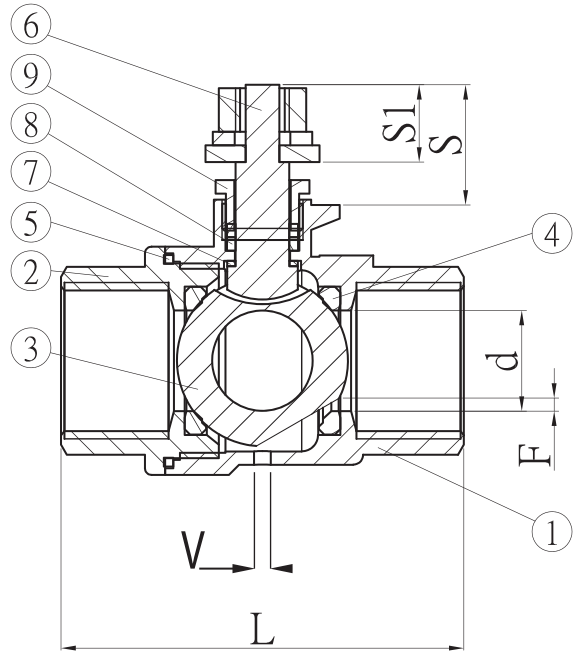
LV 6217

Screwed BSPP, 2 Piece Vented Design, Full Bore, Stainless Steel Body, Ball & Stem, PTFE Seats & Seals, Anti-blowout Stem, Locking Lever



Pressure / Temperature Specifications	
Pressure	PN8
Temperature	-29°C to 180°C

Material Specifications	
1. Body	CF8M Stainless Steel
2. Cap	CF8M Stainless Steel
3. Ball	CF8M Stainless Steel
4. Ball Seat	PTFE
5. Joint Gasket	PTFE
6. Stem	316 Stainless Steel
7. Thrust Washer	PTFE
8. Stem Packing	PTFE
9. Gland Nut	304 Stainless Steel
10. Handle	430 Stainless Steel
11. Spring Washer	304 Stainless Steel
12. Stem Nut	304 Stainless Steel
13. Cover	Plastic
14. Locking Device	430 Stainless Steel

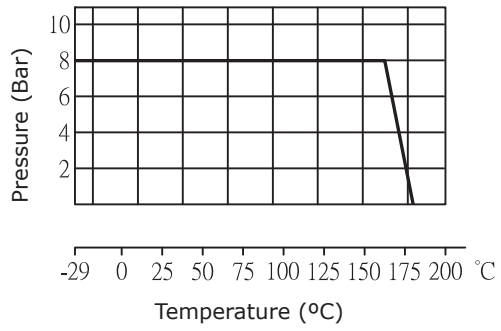


Dimensions															
Size	d	L	H	W	S	S1	X	N	P	BL	E	F	V	Kg	
¼"	11.6	50	49	98	15.5	9.5	5.0	12.5	28.5	M8	17	2.0	2.5	0.22	
⅜"	12.5	50	49	98	15.5	9.5	5.0	12.5	28.5	M8	21	2.0	2.5	0.21	
½"	15	60	53	98	15.5	11	5.0	12.5	28.5	M8	25	2.0	2.5	0.25	
¾"	20	65	63	120	17.6	12	5.8	21	34.8	M8	31	2.0	2.5	0.38	
1"	25	80	72	154	21	14.5	7.0	22.5	34.8	M10	38	2.0	2.5	0.59	

# Stainless Steel Ball Valve - Vented

LV 6217

Pressure / Temperature Chart



Torque (Nm, without Safety)

Size	Nm
1/4"	4.0
3/8"	4.0
1/2"	5.0
3/4"	8.0
1"	10.0

Last updated 18/06/2025