

Stainless Steel Ball Valve - Two Piece - NPT

LV 6220

Screwed NPT, Full Bore, Stainless Steel Body, Ball & Stem, PTFE Seats & Seals, Anti-blowout Stem, Locking Device

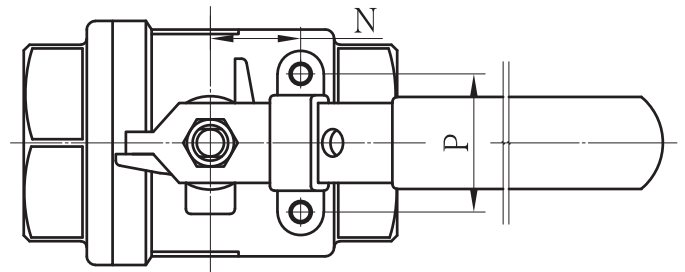
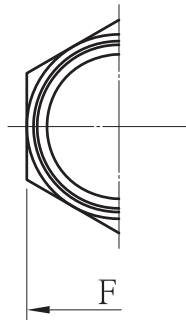
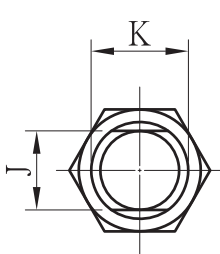
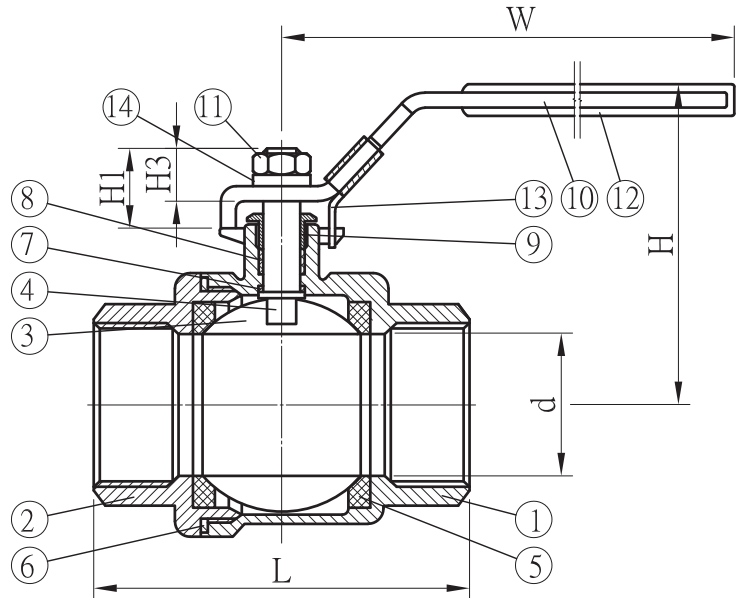


Pressure/Temperature Specifications

Pressure	PN63
Temperature	-29°C to 180°C

Material Specifications

1. Body	1.4408 Stainless Steel
2. Cap	1.4408 Stainless Steel
3. Ball	CF8M Stainless Steel
4. Stem	AISI 316 Stainless Steel
5. Seat	PTFE
6. Body Seal	PTFE
7. Thrust Washer	PTFE
8. Stem Seal	PTFE
9. Gland Nut	AISI 304 Stainless Steel
10. Handle	AISI 430 Stainless Steel
11. Handle Nut	AISI 304 Stainless Steel
12. Handle Sleeve	Plastic
13. Lock Device	AISI 430 Stainless Steel
14. Stem Washer	AISI 304 Stainless Steel



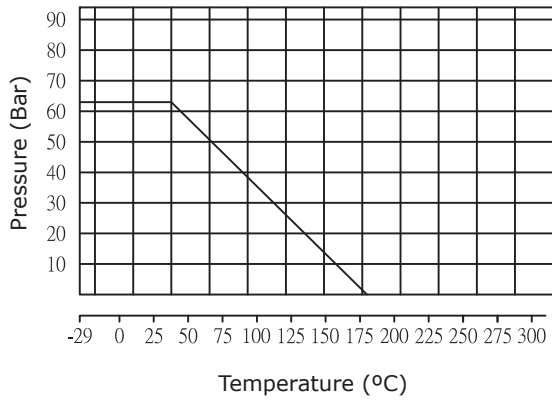
Dimensions

Size	Ød	L	W	H	H1	H3	N	P	J	K	F	Kg
¼"	11.6	49	98	49	15.5	9.5	12.5	28.5	5	M8	17	0.22
⅜"	12.5	49	98	49	15.5	9.5	12.5	28.5	5	M8	21	0.22
½"	15	59	98	53	15.5	11	12.5	28.5	5	M8	25	0.29
¾"	20	64	120	63	17.6	12	21	34.8	5.8	M8	31	0.42
1"	25	79	154	72	21	14.5	22.5	34.8	7	M10	38	0.71
1½"	38	104	184	92	25.5	18.5	23.5	38.1	8	M12	53	1.68
2"	50	124	184	101	25.5	18.5	23.5	38.1	8	M12	65	2.71

Stainless Steel Ball Valve - Two Piece - NPT

LV 6220

Pressure / Temperature Chart



Torque (Nm, without Safety)

Size	Nm
1/4"	4.0
3/8"	4.0
1/2"	5.0
3/4"	8.0
1"	10.0
1 1/2"	25.0
2"	35.0

Last updated 28/05/2025