

Stainless Steel Ball Valve - Two Piece - ISO Top



LV 6230

ISO 5211 For Direct Mount, Screwed BSPP, Full Bore, Stainless Steel Body, Ball & Stem, PTFE Seats & Seals, Anti-blowout Stem, Anti-static Device

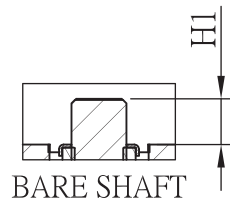
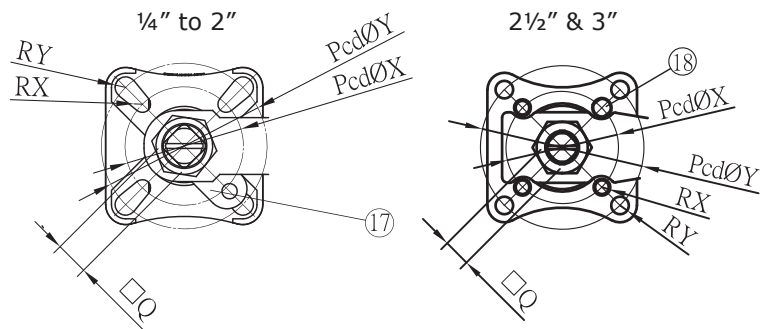
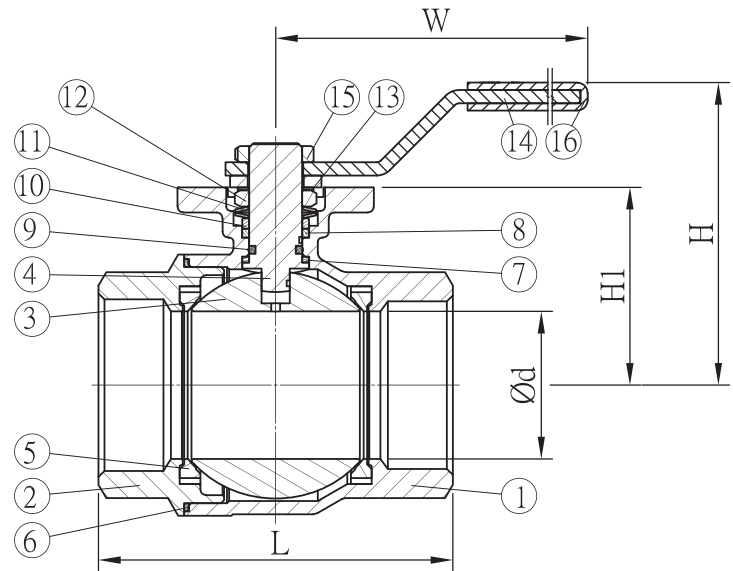


Pressure/Temperature Specifications

Pressure	PN63
Temperature	-29°C to 180°C

Material Specifications

1. Body	1.4408 Stainless Steel
2. Cap	1.4408 Stainless Steel
3. Ball	CF8M Stainless Steel
4. Stem	AISI 316 Stainless Steel
5. Seat	PTFE
6. Body Seal	PTFE
7. Thrust Washer	PTFE
8. Stem Seal	PTFE
9. O-ring	Viton
10. Gland Ring	AISI 304 Stainless Steel
11. Disc Spring	AISI 301 Stainless Steel
12. Stem Nut	AISI 304 Stainless Steel
13. Lock Washer	AISI 304 Stainless Steel
14. Handle	AISI 304 Stainless Steel
15. Handle Nut	AISI 304 Stainless Steel
16. Handle Sleeve	Plastic
17. Stopper	AISI 304 Stainless Steel
18. Stopper Pin	AISI 304 Stainless Steel



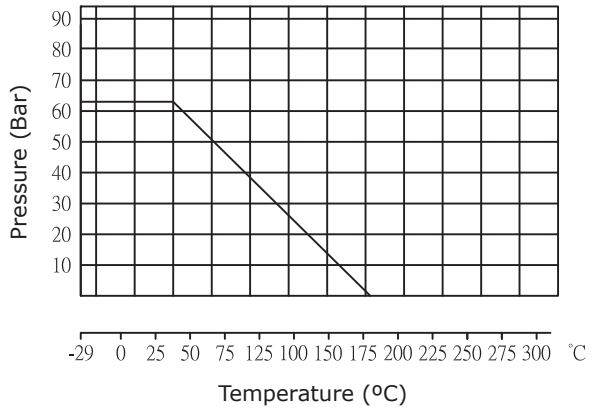
Dimensions

Size	Ød	L	W	H	H1	H2	ØX	ØY	RX	RY	□Q	Kg
1/4"	11	50	112	62	8.3	36	36	-	Ø6	-	9	0.31
3/8"	12.7	50	112	62	8.3	36	36	-	Ø6	-	9	0.31
1/2"	15	55	112	64	8.3	38	42	-	Ø6	-	9	0.34
3/4"	20	76	138	71	11	41.7	42	50	R3	R3.5	11	0.62
1"	25	83	138	74	11	44.4	42	50	R3	R3.5	11	0.78
1 1/4"	32	91	160	89	15	54	50	70	R3.5	R4.5	14	1.35
1 1/2"	40	103	205	96	15	59.5	50	70	R3.5	R4.5	14	1.91
2"	50	120	205	104	15	67	50	70	R3.5	R4.5	14	2.8
2 1/2"	65	155	330	152	18.5	101.5	70	102	M10	Ø11	17	6.98
3"	80	182	330	163	18.5	112.5	70	102	M10	Ø11	17	10.3

Stainless Steel Ball Valve - Two Piece - ISO Top

LV 6230

Pressure / Temperature Chart



Torque (Nm, without Safety)

Size	Nm
1/4"	4.5
3/8"	4.5
1/2"	5.5
3/4"	9.0
1"	11.0
1 1/4"	16.5
1 1/2"	24.0
2"	33.0
2 1/2"	50.0
3"	66.0

Last updated 05/06/2025