

# Stainless Steel Ball Valve - Two Piece - Spring Close Lever



LV 6290

Screwed BSPP, Full Bore, Stainless Steel Body, Ball & Stem, PTFE Seats & Seals, Anti-blowout Stem, Anti-static Device, Spring Close Lever



### Pressure/Temperature Specifications

Pressure	PN63
Temperature	-29°C to 180°C

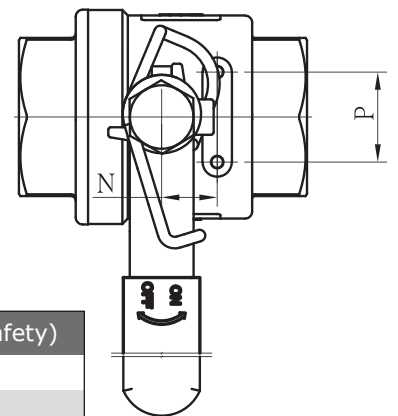
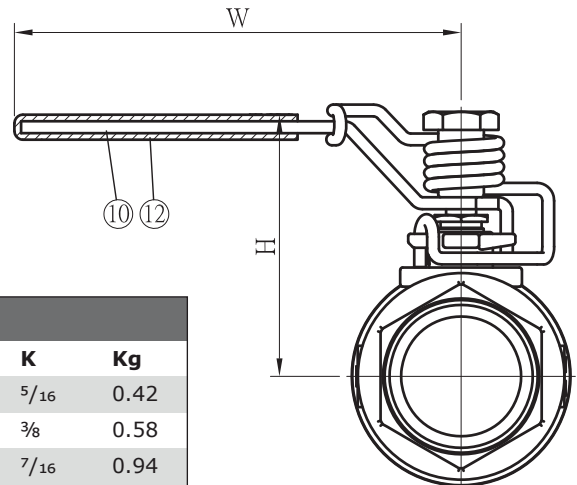
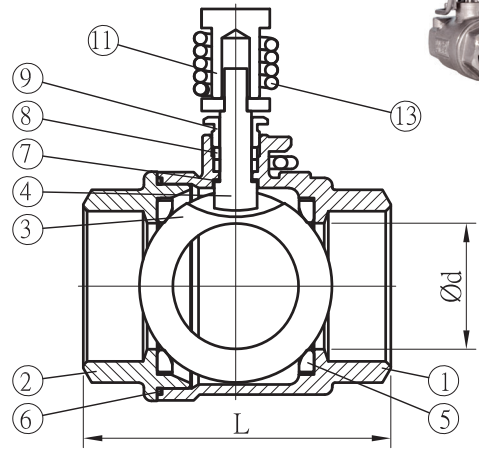
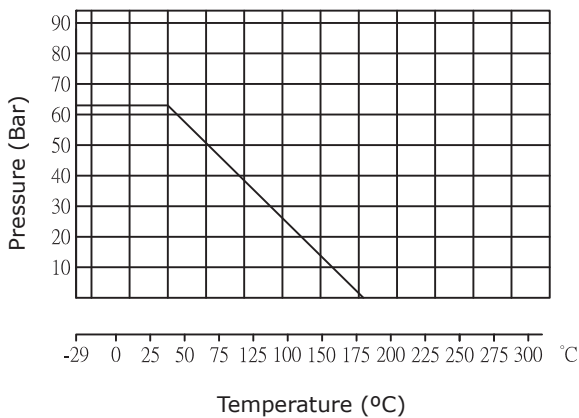
### Material Specifications

1. Body	1.4408 Stainless Steel
2. Cap	1.4408 Stainless Steel
3. Ball	CF8M Stainless Steel
4. Stem	AISI 316 Stainless Steel
5. Seat	PTFE
6. Body Seal	PTFE
7. Thrust Washer	PTFE
8. Stem Seal	PTFE
9. Gland Nut	AISI 304 Stainless Steel
10. Handle	AISI 430 Stainless Steel
11. Handle Nut	AISI 304 Stainless Steel
12. Handle Sleeve	Plastic
13. Spring	AISI 304 Stainless Steel

### Dimensions

Size	Ød	L	W	H	N	P	J	K	Kg
1/2"	15	57	92	54	12.5	25	5.0	5/16	0.42
3/4"	20	65	110	63	21	24	6.5	3/8	0.58
1"	25	76	137	77	22.5	33.5	8.0	7/16	0.94
1 1/4"	32	87.5	137	81	23.5	38.1	8.0	7/16	1.44
1 1/2"	38	102	167	98	23.5	38.1	9.0	1/2	2.09
2"	50	122	167	105	23.5	38.1	9.0	1/2	3.5

### Pressure / Temperature Chart



### Torque (Nm, without Safety)

Size	Nm
1/2"	5.4
3/4"	7.4
1"	10.4
1 1/4"	13.5
1 1/2"	18.0
2"	25.0

