

# Stainless Steel Ball Valve - Three Piece - Socket Weld

LV 6304

Socket Weld, Full Bore, Stainless Steel Body, Ball & Stem, PTFE Seats & Seals, Anti-blowout Stem, Locking Device

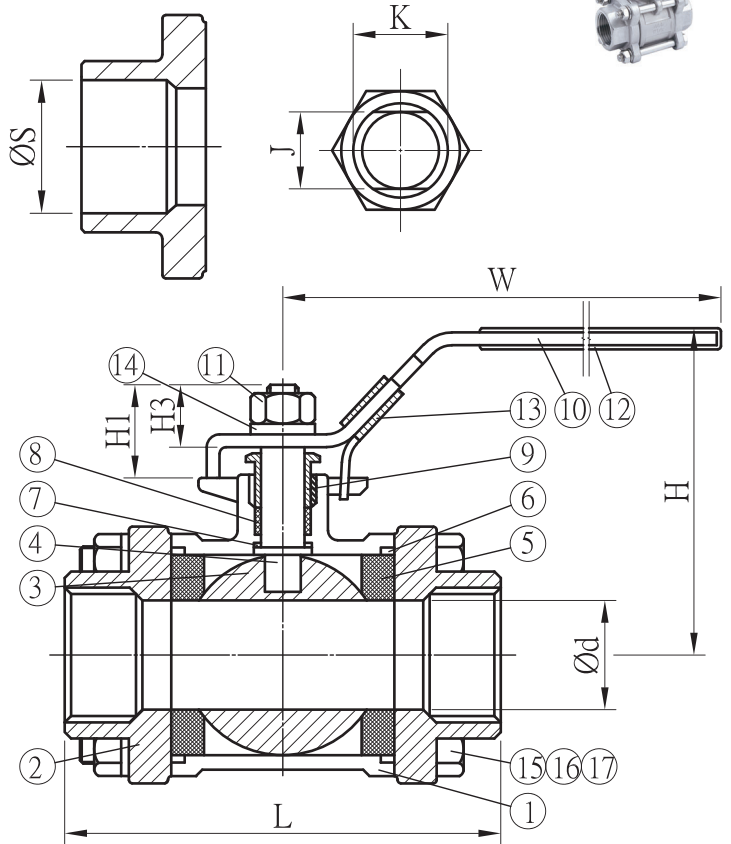


### Pressure/Temperature Specifications

Pressure	PN63
Temperature	-29°C to 180°C

### Material Specifications

1. Body	1.4408 Stainless Steel
2. Cap	1.4408 Stainless Steel
3. Ball	CF8M Stainless Steel
4. Stem	AISI 316 Stainless Steel
5. Seat	PTFE
6. Body Seal	PTFE
7. Thrust Washer	PTFE
8. Stem Seal	PTFE
9. Gland Nut	AISI 304 Stainless Steel
10. Handle	AISI 430 Stainless Steel
11. Handle Nut	AISI 304 Stainless Steel
12. Handle Sleeve	Plastic
13. Locking Device	AISI 430 Stainless Steel
14. Stem Washer	AISI 304 Stainless Steel
15. Bolt	AISI 304 Stainless Steel
16. Spring Washer	AISI 304 Stainless Steel
17. Hex Nut	AISI 304 Stainless Steel



### Dimensions

Size	Ød	L	W	H	H1	H3	J	K	ØS	Kg
1/4"	11.6	58	115	55	14	9.5	5.0	M8	14.0	0.4
3/8"	12.5	58	115	55	14	9.5	5.0	M8	18.0	0.4
1/2"	15	68.5	115	59	16.3	11.0	5.0	M8	21.7	0.58
3/4"	20	84	140	70	19.8	12.0	6.5	M8	27.1	0.75
1"	25	89	150	72	21.0	14.5	8.0	M10	34.0	1.08
1 1/4"	32	112	150	78	21.0	14.5	8.0	M10	42.8	1.85
1 1/2"	38	121	180	97	26.5	17.5	9.0	M12	48.9	2.6
2"	50	146	180	105	26.5	17.5	9.0	M12	61.4	3.94
3"	80	183	265	140	31.7	23.2	12.0	M16	89.5	13.0
4"	100	231	315	179	45.4	27.0	16.0	M24	115.5	23.5

### Torque (Nm, without Safety)

Size	Nm
1/4"	4.0
3/8"	4.0
1/2"	5.4
3/4"	7.4
1"	10.6
1 1/4"	15.0
1 1/2"	20.0
2"	28.0
3"	75.0
4"	110.0

### Pressure / Temperature Chart

