

Stainless Steel Ball Valve - Three Piece - ISO Top



LV 6330

ISO 5211 for Direct Mount, Screwed BSPP, Full Bore, Stainless Steel Body, Ball & Stem, PTFE Seats & Seals, Anti-blowout Stem, Anti-static Device, Locking Lever Included

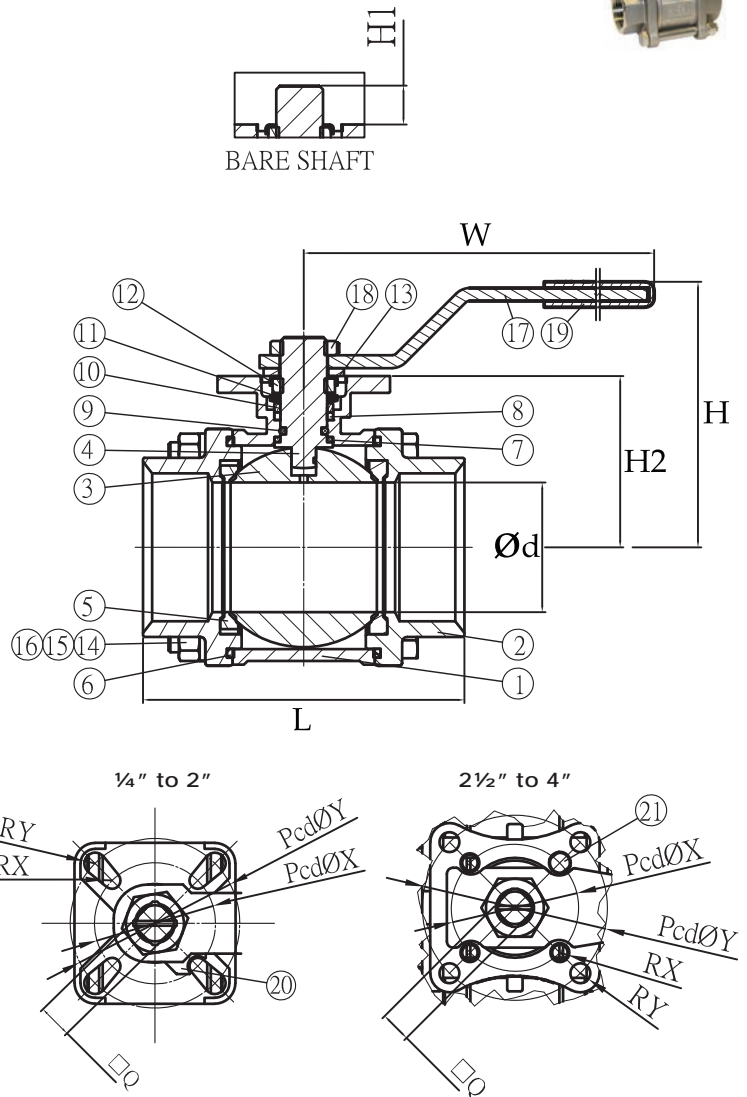


Pressure/Temperature Specifications

Pressure	PN63
Temperature	-29°C to 180°C

Material Specifications

1. Body	1.4408 Stainless Steel
2. Cap	1.4408 Stainless Steel
3. Ball	CF8M Stainless Steel
4. Stem	AISI 316 Stainless Steel
5. Seat	PTFE
6. Body Seal	PTFE
7. Thrust Washer	PTFE
8. Stem Seal	PTFE
9. O-ring	Viton
10. Gland Ring	AISI 304 Stainless Steel
11. Disc Spring	AISI 301 Stainless Steel
12. Stem Nut	AISI 304 Stainless Steel
13. Lock Washer	AISI 304 Stainless Steel
14. Body Bolt	AISI 304 Stainless Steel
15. Spring Washer	AISI 304 Stainless Steel
16. Body Nut	AISI 304 Stainless Steel
17. Handle	AISI 304 Stainless Steel
18. Handle Nut	AISI 304 Stainless Steel
19. Handle Sleeve	Plastic
20. Stopper	AISI 304 Stainless Steel
21. Stop Pin	AISI 304 Stainless Steel



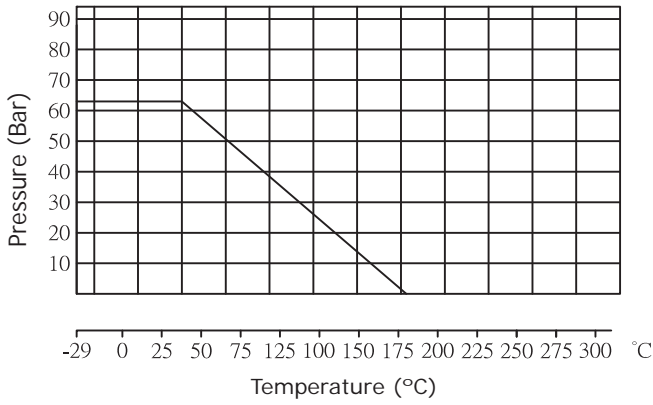
Dimensions

Size	Ød	L	W	H	H1	H2	X	Y	RX	RY	□Q	Kg
1/4"	11.6	59	112	62	7.5	37	36	-	6.0	-	9	0.3
3/8"	12.7	59	112	62	7.5	37	36	-	6.0	-	9	0.3
1/2"	15	62	112	64	7.3	39	36	-	6.0	-	9	0.35
3/4"	20	77	138	72.5	10.5	42.7	42	50	R3.0	R3.5	11	0.58
1"	25	83	138	76	10	46.4	42	50	R3.0	R3.5	11	1.04
1 1/4"	32	94	160	90	15	52.8	50	70	R3.5	R4.5	14	1.54
1 1/2"	40	107	205	96	15	58.5	50	70	R3.5	R4.5	14	2.3
2"	50	124	205	104	15	66	50	70	R3.5	R4.5	14	3.8
2 1/2"	65	155	330	152	18.5	101.5	70	102	M10	Ø11	17	8.8
3"	80	182	330	163	18.5	112.5	70	102	M10	Ø11	17	14.2
4"	100	213	330	178	18.5	127	70	102	M10	Ø11	17	28.0

Stainless Steel Ball Valve - Three Piece - ISO Top

LV 6330

Pressure / Temperature Chart



Torque (Nm, without Safety)

Size	Nm
1/4"	4.5
3/8"	4.5
1/2"	5.5
3/4"	9.0
1"	11.0
1 1/4"	16.5
1 1/2"	24.0
2"	33.0
2 1/2"	50.0
3"	66.0
4"	120.0

Last updated 14/07/2025