

Stainless Steel Ball Valve - Wafer to suit PN16

LV 6340

Wafer to suit PN16, Full Bore, CF8M Stainless Steel Body, Ball & Stem, PTFE Seats & Seals, Anti-blowout Stem. ***Note:** 6" Bore is Reduced

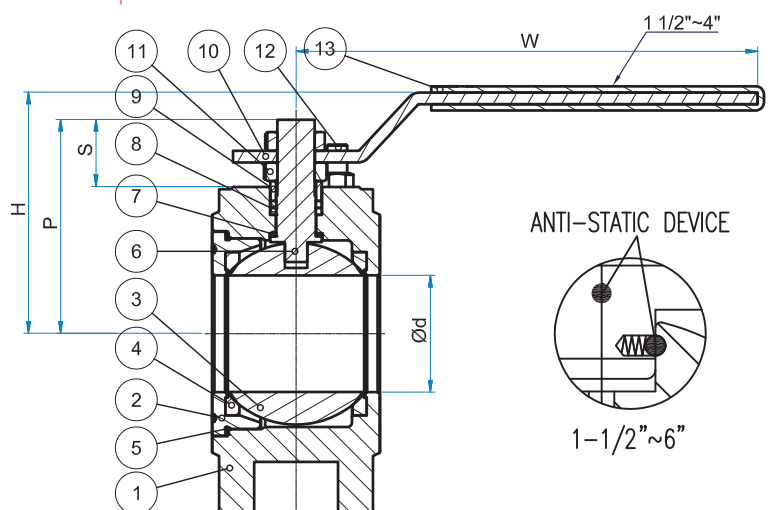
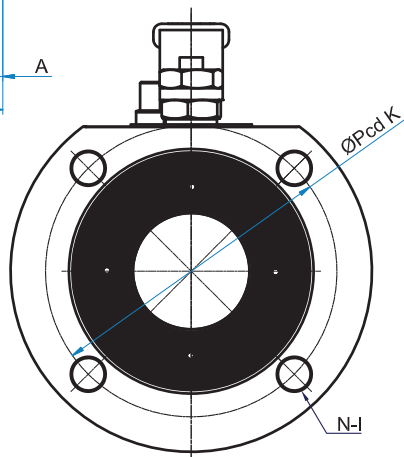
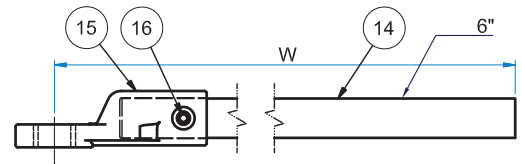
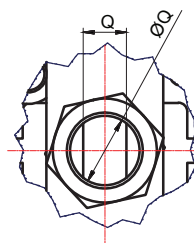
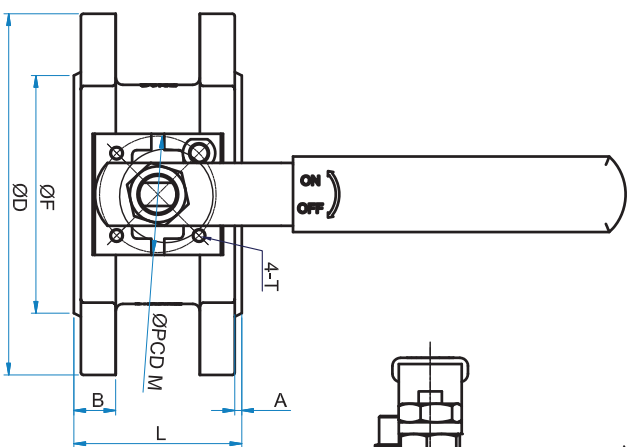
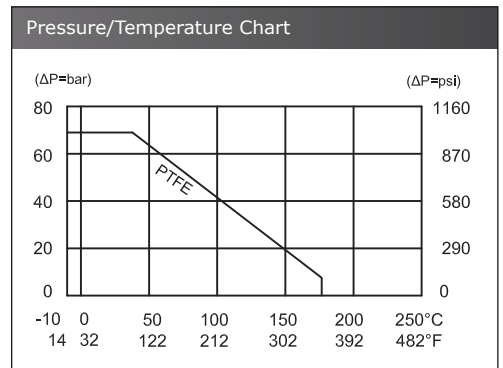


Pressure / Temperature Specifications	
Pressure	PN16
Temperature	-10°C to 180°C

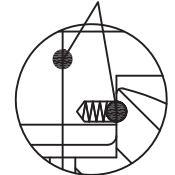
Material Specifications					
1	Body	CF8M Stainless Steel	9	Stem Ring	304 Stainless Steel
2	Insert	CF8M Stainless Steel	10	Handle	1½" to 4" - 430 Stainless Steel
3	Ball	CF8M Stainless Steel	11	Stem Nut	304 Stainless Steel
4	Seats	PTFE	12	Stop Pin	304 Stainless Steel
5	Joint Gasket	PTFE	13	Handle Cover	1½" to 4" - PVC
6	Stem	316 Stainless Steel	14	Handle Bar	6" 304 Stainless Steel
7	Thrust Washer	PTFE	15	Handle	6" 304 Stainless Steel
8	Stem Packing	PTFE	16	Nut	304 Stainless Steel

Dimensions												
Size	ØD	B	Ød	ØF	A	N-I	H	ØK	L	P	W	Kg
1½"	145	16	38	88	3	4-M16	96	110	62	84.4	198	4.0
2"	155	18	50	102	3	4-M16	104	125	72	91.8	198	5.4
2½"	185	18	65	122	3	4-M16	122	145	94	100.7	248	9.2
3"	200	20	76	138	3	8-M16	153	160	118	131.3	283	13.5
4"	220	20	96	158	3	8-M16	164	180	140	142.2	333	19.3
6"	285	22	125*	215	3	8-M20	185	240	182	181	542	57.0

Dimensions					
Size	ØM	Q	ØQ	S	T
1½"	50	10	M16 x 2.0	29.2	M6
2"	50	10	M16 x 2.0	28.8	M6
2½"	70	12	M20 x 2.5	35.9	M8
3"	70	12	M20 x 2.5	36.8	M8
4"	70	12	M20 x 2.5	37.2	M8
6"	102	17	M27 x 3.0	51.4	M10



ANTI-STATIC DEVICE



1-1/2"~6"