

Stainless Steel Ball Valve - Flanged PN16 - ISO Top

1/2" to 4"  

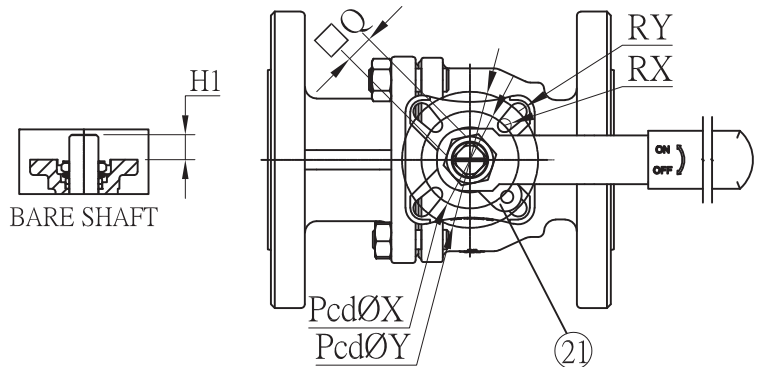
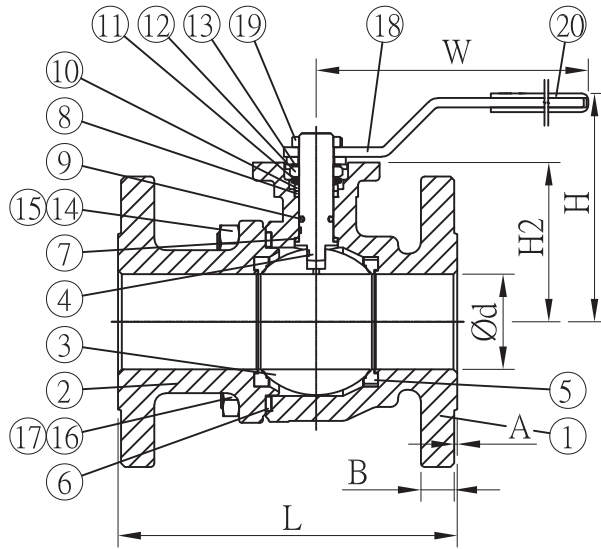
LV 6353

ISO 5211 for Direct Mount, Flanged PN10/16/25/40 1/2" to 2", PN16 2 1/2" to 8", Full Bore, Stainless Steel Body, Ball & Stem, TFM 1600 Seats, Anti-blowout Stem, Anti-static Device, Firesafe Certified up to 4", Firesafe Design 5" to 8"

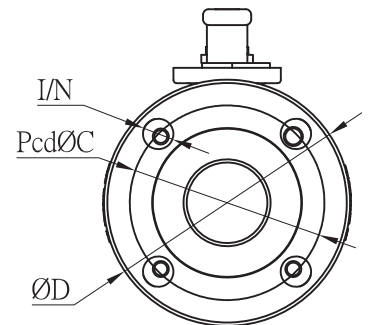


Pressure/Temperature Specifications	
Pressure	PN40 1/2" to 2"
	PN16 2 1/2" to 8"
Temperature	-29°C to 200°C

Material Specifications (1/2" to 2")	
1. Body	1.4408 Stainless Steel
2. End Cap	1.4408 Stainless Steel
3. Ball	CF8M Stainless Steel
4. Stem	316 Stainless Steel
5. Seat	TFM 1600
6. Body Seal	Graphite
7. Thrust Washer	TFM 1600
8. Stem Seal	Graphite
9. O-ring	Viton
10. Gland Ring	304 Stainless Steel
11. Disc Spring	301 Stainless Steel
12. Stem Nut	304 Stainless Steel
13. Lock Washer	304 Stainless Steel
14. Bolt	304 Stainless Steel
15. Nut	304 Stainless Steel
16. Bolt	304 Stainless Steel
17. Nut	304 Stainless Steel
18. Handle	304 Stainless Steel
19. Handle Nut	304 Stainless Steel
20. Sleeve	Plastic
21. Stopper	304 Stainless Steel



Dimensions (1/2" to 2")									
Size	Ød	A	B	L	W	H	H1	H2	Kg
1/2"	15	2.0	14	115	165	93	7.5	49.5	2.2
3/4"	20	2.0	16	120	165	97	8.0	53.1	2.6
1"	25	2.0	16	125	165	98	10.5	57.5	3.65
1 1/4"	32	2.0	16	130	205	106	15.5	71.5	6.15
1 1/2"	40	3.0	15	140	205	111	15.5	76.5	6.85
2"	50	3.0	17	150	205	118	15.5	83.5	9.65



Dimensions (1/2" to 2")					
Size	ØX	ØY	RX	RY	Q
1/2"	42	-	Ø6	-	9.0
3/4"	42	50	R3.0	R3.5	9.0
1"	42	50	R3.0	R3.5	11.0
1 1/4"	50	70	R3.5	R4.5	14.0
1 1/2"	50	70	R3.5	R4.5	14.0
2"	50	70	R3.5	R4.5	14.0

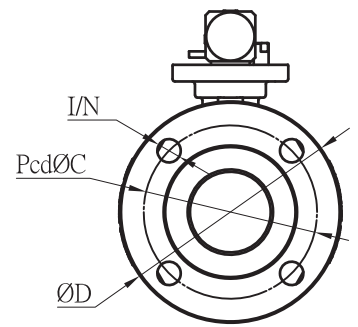
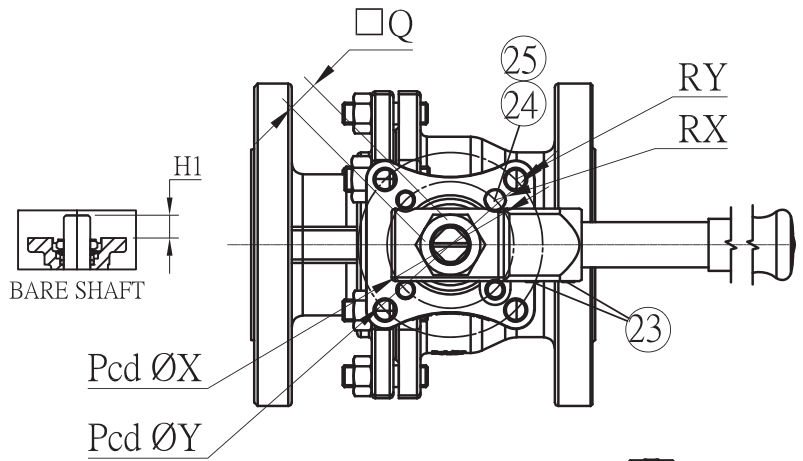
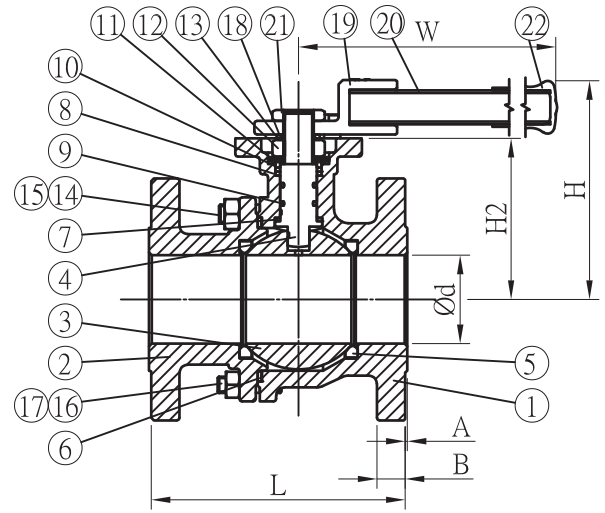
Dimensions (1/2" to 2")			
Size	ØC	ØD	I / N
1/2"	65	95	4 - 14
3/4"	75	105	4 - 14
1"	85	115	4 - 14
1 1/4"	100	140	4 - 18
1 1/2"	110	150	4 - 18
2"	125	165	4 - 18

Stainless Steel Ball Valve - Flanged PN16 - ISO Top

1/2" to 4"  

LV 6353

Material Specifications (2½" to 6")	
1. Body	1.4408 Stainless Steel
2. End Cap	1.4408 Stainless Steel
3. Ball	CF8M Stainless Steel
4. Stem	316 Stainless Steel
5. Seat	TFM 1600
6. Body Seal	Graphite
7. Thrust Washer	TFM 1600
8. Stem Seal	Graphite
9. O-ring	Viton
10. Gland Ring	304 Stainless Steel
11. Disc Spring	301 Stainless Steel
12. Stem Nut	304 Stainless Steel
13. Lock Washer	304 Stainless Steel
14. Bolt	304 Stainless Steel
15. Nut	304 Stainless Steel
16. Bolt	304 Stainless Steel
17. Nut	304 Stainless Steel
18. Spacer	304 Stainless Steel
19. Adaptor	CF8 Stainless Steel
20. Handle Bar	304 Stainless Steel
21. Handle Nut	304 Stainless Steel
22. Sleeve	Plastic
23. Set Screw	304 Stainless Steel
24. Stop Pin	304 Stainless Steel
25. Nut for Stop Pin	304 Stainless Steel



Dimensions (2½" to 6")									
Size	Ød	A	B	L	W	H	H1	H2	Kg
2½"	65	3.0	15	170	280	152	18.5	118.5	15.2
3"	80	3.0	17	180	280	163	18.5	129.5	19.6
4"	100	3.0	17	190	380	178	18.5	145.0	27.3
5"	125	3.0	19	325	610	202	30.0	158.5	43.5
6"	150	3.0	19	350	610	219	30.0	175.0	62.0

Dimensions (2½" to 6")					
Size	ØX	ØY	RX	RY	Q
2½"	70	102	M10	Ø11	17.0
3"	70	102	M10	Ø11	17.0
4"	70	102	M10	Ø11	17.0
5"	102	125	R6.0	R7.0	27.0
6"	102	125	R6.0	R7.0	27.0

Dimensions (2½" to 6")			
Size	ØC	ØD	I / N
2½"	145	185	4 - 18
3"	160	200	8 - 18
4"	180	220	8 - 18
5"	210	250	8 - 18
6"	240	285	8 - 22

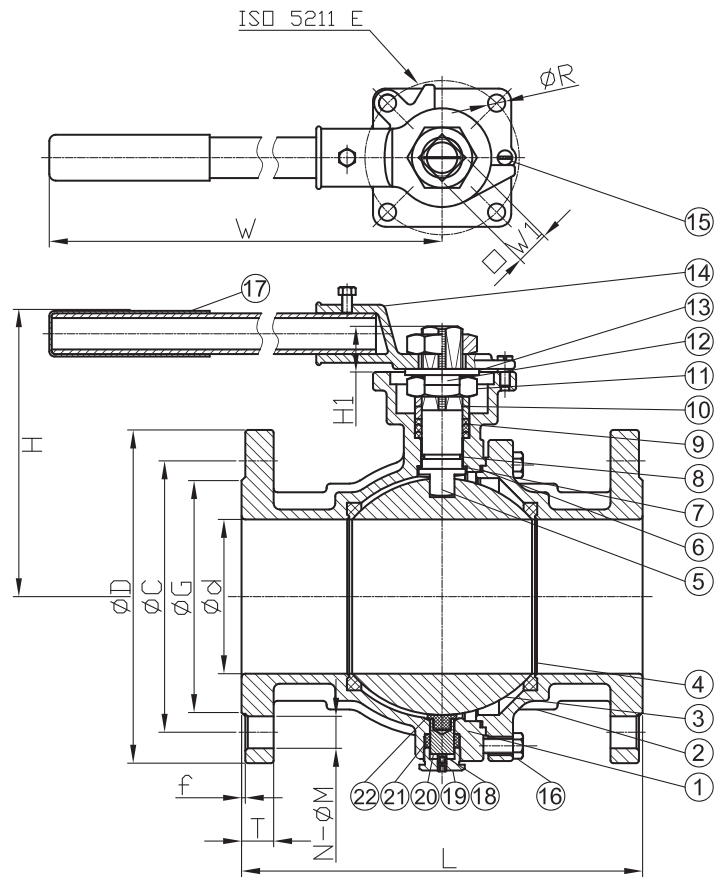
Stainless Steel Ball Valve - Flanged PN16 - ISO Top

1/2" to 4"



LV 6353

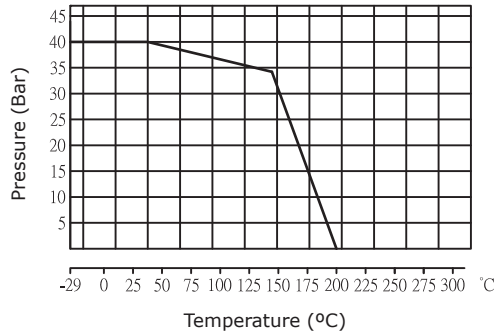
Material Specifications (8")	
1. Body	1.4408 Stainless Steel
2. End Cap	1.4408 Stainless Steel
3. Ball	1.4408 Stainless Steel
4. Seat	TFM 1600
5. Stem	316 Stainless Steel
6. Gasket	TFM 1600
7. Thrust Washer	TFM 1600
8. O-ring	Viton
9. Packing	TFM 1600
10. Gland	304 Stainless Steel
11. Stem Nut	304 Stainless Steel
12. Stop Washer	304 Stainless Steel
13. Handle Washer	304 Stainless Steel
14. Handle	304 Stainless Steel
15. Stop Pin	304 Stainless Steel
16. Bolt	304 Stainless Steel
17. Cover	Plastic
18. Tuning Screw	304 Stainless Steel
19. Support Nut	304 Stainless Steel
20. Support Pin	316 Stainless Steel
21. Pin Packing	Graphite
22. Pin Seat	PTFE



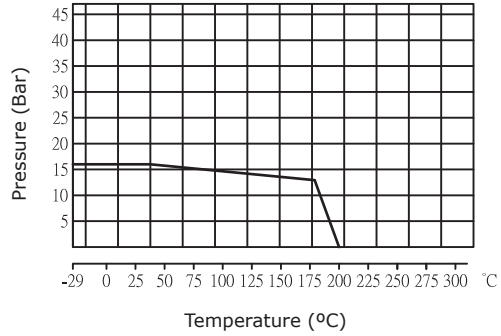
Dimensions (8")											
Size	d	D	C	G	f	T	N - ØM	L	H	H1	Kg
8"	200	340	295	268	3	24	12 - 22	400	304	36	92.0

Dimensions (8")					
Size	W	W1	ISO	E	R
8"	920	36	F14	140	Ø18

Pressure / Temperature Chart (1/2" to 2")



Pressure / Temperature Chart (2 1/2" to 8")



Torque (Nm, without Safety)

Size	Nm
1/2"	7.5
3/4"	12.5
1"	16.0
1 1/4"	23.0
1 1/2"	31.0
2"	38.0
2 1/2"	56.0
3"	88.0
4"	125.0
5"	188.0
6"	250.0
8"	750.0