

Stainless Steel 3 Way Ball Valve - Flanged PN16

LV 6500 T / LV 6511 L

Flanged PN16, Full Bore, CF8M Stainless Steel Body, Ball & Stem,
PTFE Seats, Anti-blowout Stem, Lever Operated



LV6500T = T Port

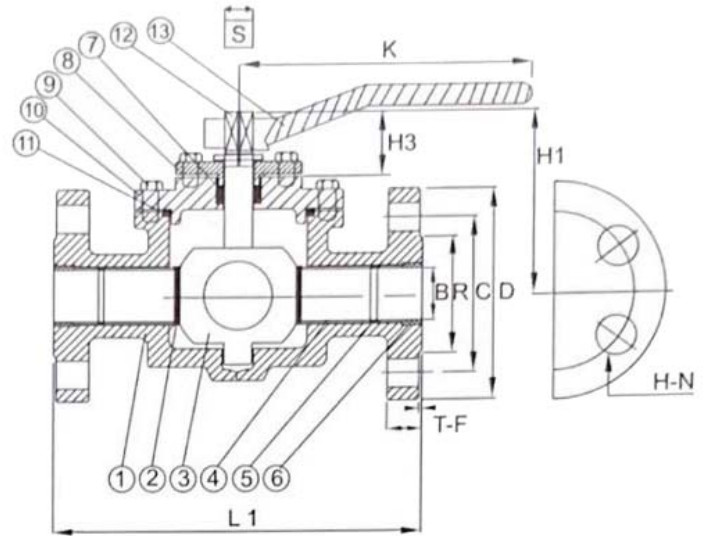
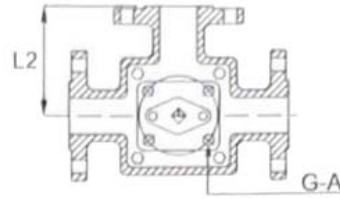
LV6511L = L Port

Pressure / Temperature Specifications

Pressure	PN16
Temperature	-0°C to 180°C

Material Specifications

1. Body	CF8M Stainless Steel
2. Seat	PTFE
3. Ball	CF8M Stainless Steel
4. Seat Ring Holder	CF8 Stainless Steel
5. O-ring	NBR
6. Retainer	CF8 Stainless Steel
7. Stem Packing	PTFE
8. Gland Flange	CF8 Stainless Steel
9. Gland Bolt	304 Stainless Steel
10. Top Cover	CF8M Stainless Steel
11. Joint Gasket	PTFE
10. Stem	CF8M Stainless Steel
11. Handle	Cast Iron



Dimensions

DN	L1	L2	D	C	B	T-F	R	H-N	H1	H3	K	S	G-A	Kg
2"	220	110	165	125	47	18-2	102	18 x4	136	53	230	16	70-M8	18.5
2½"	250	125	185	145	63	18-2	122	18 x4	150	65	330	19.5	102-M10	29.0
3"	260	130	200	160	74	20-2	138	18 x8	160	65	330	19.5	102-M10	31.0
4"	340	170	220	180	97	20-2	158	18 x8	172	65	330	19.5	102-M10	49.0
5"	424	212	250	210	123	22-2	188	18 x8	220	70	700	25	125-M12	89.0
6"	435	217	285	240	144	22-2	212	22 x8	240	75	700	25	125-M12	105.0
8"	525	262.5	340	295	199	24-2	267	22 x12	310	85	700	35	140-M14	162.0

Torque Figures

Size	Nm
2"	29.40
2½"	48.02
3"	70.56
4"	94.06
5"	318.6
6"	382.2
8"	450.0