

Stainless Steel 3 Way Ball Valve - Flanged PN16 - ISO Top



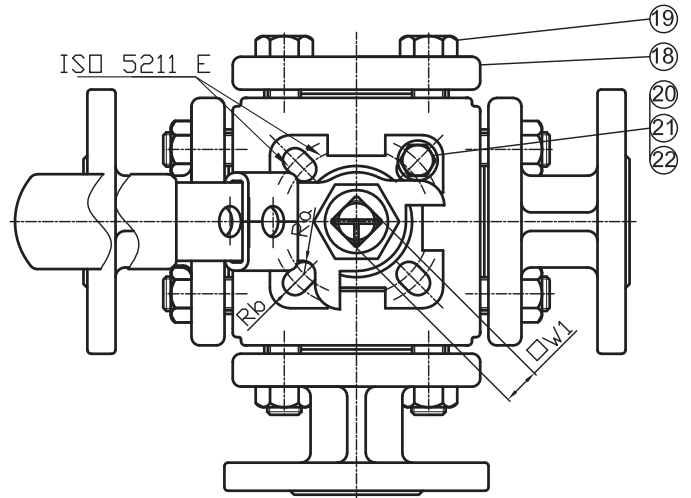
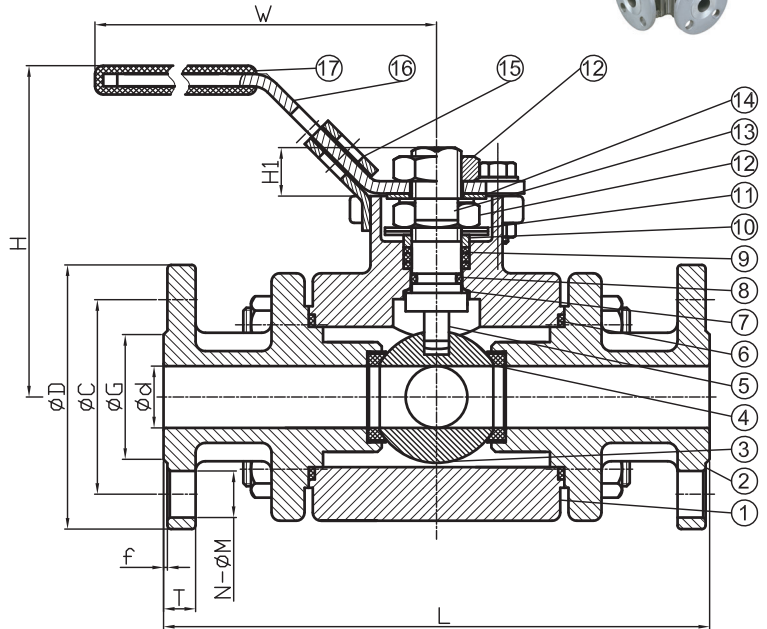
LV 6503 T Port / LV 6513 L Port

ISO 5211 for Direct Mount, Flanged PN16, Full Bore,
Stainless Steel Body, Ball & Stem, PTFE Seats



Pressure/Temperature Specifications	
Pressure	PN16
Temperature	-29°C to 180°C

Material Specifications (1/2" to 1")	
1. Body	1.4408 Stainless Steel
2. Cap	1.4408 Stainless Steel
3. Ball	1.4408 Stainless Steel
4. Seat	PTFE
5. Stem	316 Stainless Steel
6. Gasket	PTFE
7. Thrust Washer	TFM 4215
8. O-ring	Viton
9. Packing	PTFE
10. Gland	304 Stainless Steel
11. Spring Washer	301 Stainless Steel
12. Stem Nut	304 Stainless Steel
13. Belleville Washer	304 Stainless Steel
14. Handle Washer	304 Stainless Steel
15. Locking Device	304 Stainless Steel
16. Handle	304 Stainless Steel
17. Sleeve	Plastic
18. Cap	1.4408 Stainless Steel
19. Bolt	304 Stainless Steel
20. Stop Pin	304 Stainless Steel
21. Bolt	304 Stainless Steel
22. Nut	304 Stainless Steel



Dimensions (1/2" to 1")													
Size	d	D	C	G	T	f	N	M	L	H	W	H1	Kg
1/2"	15	95	65	45	16	2	4	14	160	80	123	9	4.6
3/4"	20	105	75	58	18	2	4	14	165	84	123	9	6.2
1"	25	115	85	68	18	2	4	14	180	96	153	11	9.3

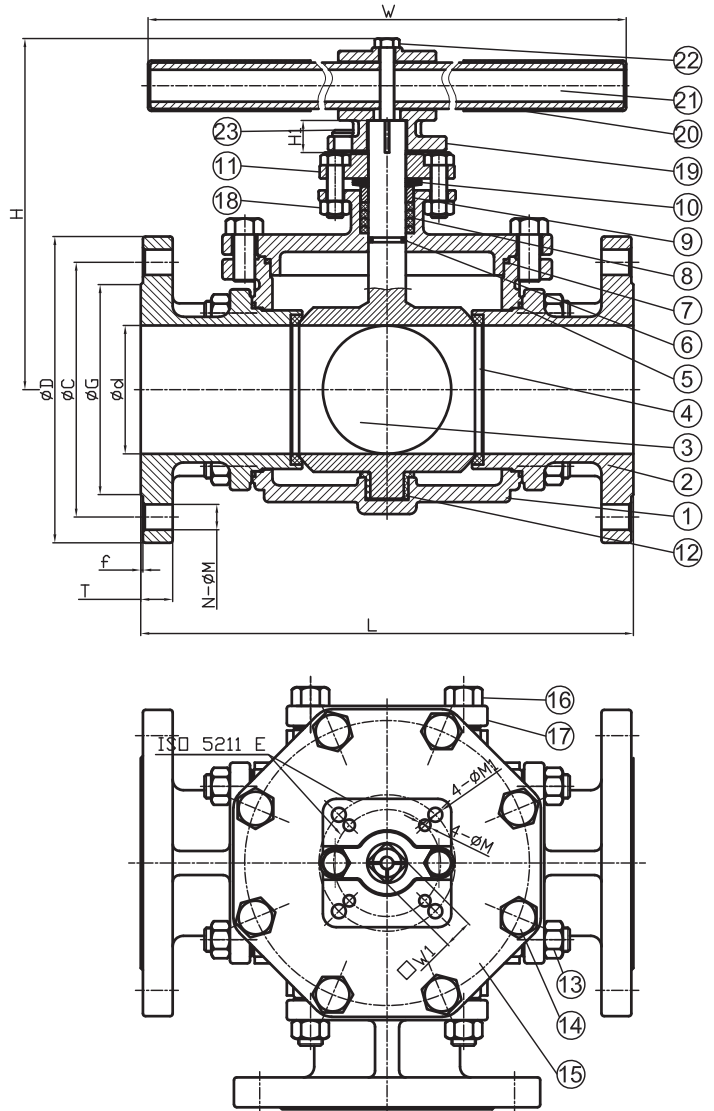
Dimensions (1/2" to 1")					
Size	ISO	E	W1	Ra	Rb
1/2"	F03 / F04	36 / 42	9	R3	R3
3/4"	F03 / F04	36 / 42	9	R3	R3
1"	F04 / F05	42 / 50	11	R3	R3.5

Stainless Steel 3 Way Ball Valve - Flanged PN16 - ISO Top



LV 6503 T Port / LV 6513 L Port

Material Specifications (1½" to 6")	
1. Body	1.4408 Stainless Steel
2. Cap	1.4408 Stainless Steel
3. Ball	1.4408 Stainless Steel
4. Stem	PTFE
5. Gasket	PTFE
6. O-ring	Viton
7. Gasket	PTFE
8. Packing	PTFE
9. Gland	304 Stainless Steel
10. Spring Washer	301 Stainless Steel
11. Gland Flange	1.4308 Stainless Steel
12. Sleeve	RPTFE
13. Bolt / Nut	304 Stainless Steel
14. Cap Bolt	304 Stainless Steel
15. Cap	1.4408 Stainless Steel
16. Cap Bolt	304 Stainless Steel
17. Cap	1.4408 Stainless Steel
18. Bolt / Nut	304 Stainless Steel
19. Handle Head	1.4308 Stainless Steel
20. Cover	Plastic
21. Handle Bar	Galvanised Pipe
22. Handle Bolt	304 Stainless Steel
23. Stop Pin	304 Stainless Steel



Dimensions (1½" to 6")													
Size	d	D	C	G	T	f	N	M	L	H	W	H1	Kg
1½"	40	150	110	88	18	3	4	18	234	197	403	19	16.5
2"	50	165	125	102	20	3	4	18	273	204	403	19	19.9
2½"	65	185	145	122	18	3	4	18	300	241	504	24	27.5
3"	76	200	160	138	20	3	8	18	305	245	504	24	35.4
4"	96	220	180	158	20	3	8	18	369	272	654	24	59.2
6"	148	250	240	212	22	3	8	22	480	361	800	38	148.0

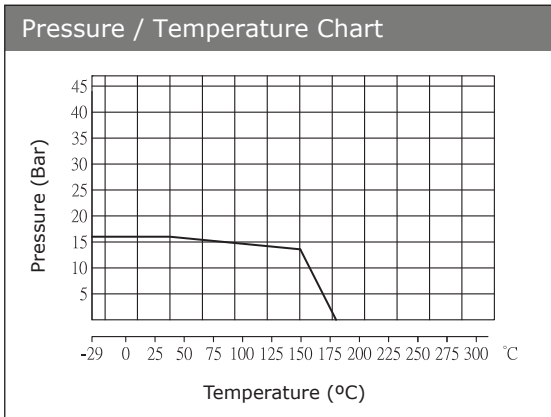
Dimensions (1½" to 6")					
Size	ISO	E	W1	M	M1
1½"	F07 / F10	70 / 102	17	Ø10	Ø12
2"	F07 / F10	70 / 102	17	Ø10	Ø12
2½"	F10	102	22	Ø12	-
3"	F10	102	22	Ø12	-
4"	F10	102	22	Ø12	-
6"	F14	140	36	Ø18	-

Stainless Steel 3 Way Ball Valve - Flanged PN16 - ISO Top



LV 6503 T Port / LV 6513 L Port

Pressure / Temperature Chart



Flow Pattern Options

TYPE	1	2	3	4
L				
T				

Last updated 12/08/2025