

Stainless Steel Gate Valve - Flanged PN16

LV 6660

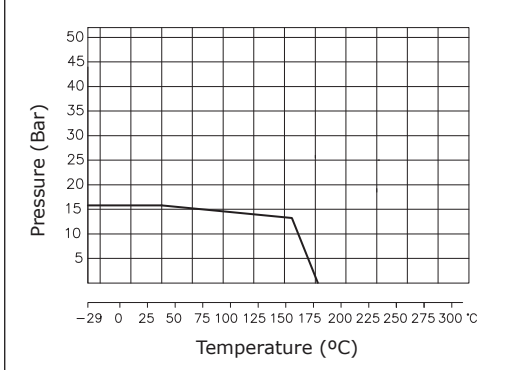
Flanged PN16, Stainless Steel Body, Bonnet & Wedge



Pressure/Temperature Specifications

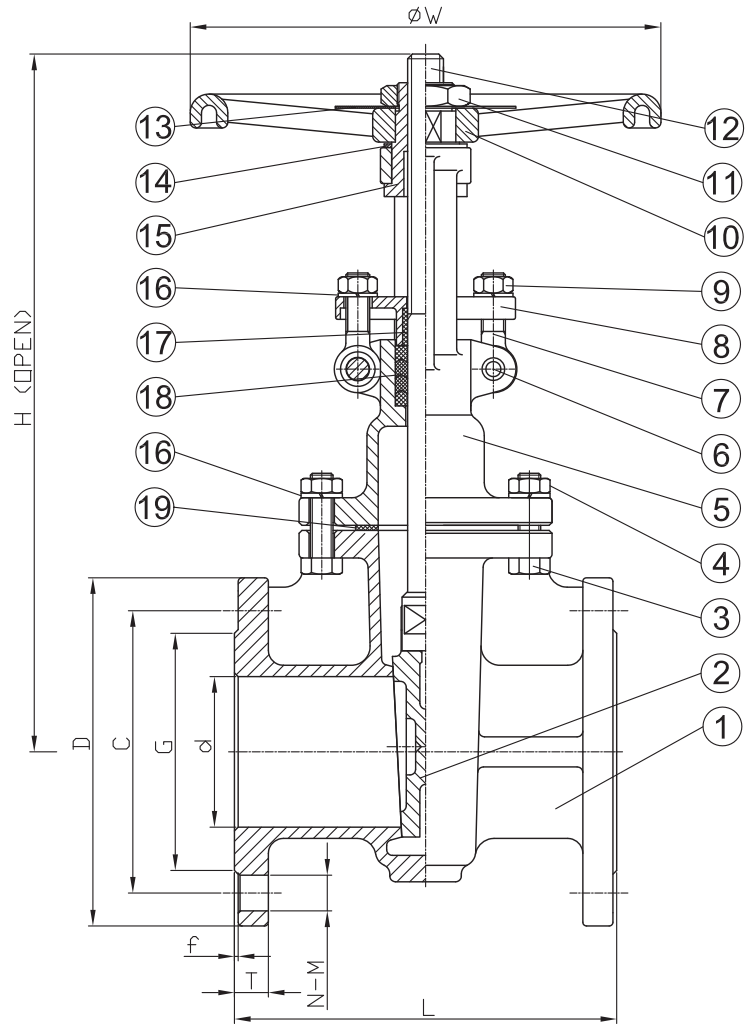
Pressure	PN16
Temperature	-29°C to 180°C

Pressure / Temperature Chart



Material Specifications

1. Body	1.4408 Stainless Steel
2. Disc	1.4408 Stainless Steel
3. Bolt	AISI 304 Stainless Steel
4. Nut	AISI 304 Stainless Steel
5. Cap	1.4408 Stainless Steel
6. Hinge Pin	AISI 304 Stainless Steel
7. Eye Bolt	AISI 304 Stainless Steel
8. Gland	1.4308 Stainless Steel
9. Eye Nut	AISI 304 Stainless Steel
10. Handwheel	FCD
11. Nut	Brass
12. Stem	AISI 316 Stainless Steel
13. Name Plate	AISI 304 Stainless Steel
14. Gasket	Bronze
15. Yoke Sleeve	Bronze
16. Spring Washers	AISI 304 Stainless Steel
17. Stem Bushing	PTFE
18. Gland Packing	PTFE
19. Gasket	1" to 4" PTFE 6" AISI 304 & Graphite



Dimensions

Size	d	L	H	W	D	C	G	f	T	N x M	Kg
1"	25	127	234	120	115	85	68	2	16	4 - 14	4.72
1½"	40	165	300	200	150	110	88	3	16	4 - 18	7.96
2"	50	178	331	200	165	125	102	3	18	4 - 18	11.6
2½"	65	190	393	200	185	145	122	3	18	4 - 18	16.2
3"	80	203	470	250	200	160	138	3	20	8 - 18	22.0
4"	100	229	545	250	220	180	158	3	20	8 - 18	33.0
6"	150	267	740	300	285	240	212	3	22	8 - 22	63.5
8"	200	292	910	350	340	295	268	3	24	12 - 22	89.7