

Stainless Steel Swing Check Valve - Flanged PN16

LV 6860

Flanged PN16, Stainless Steel Body, Cover & Disc



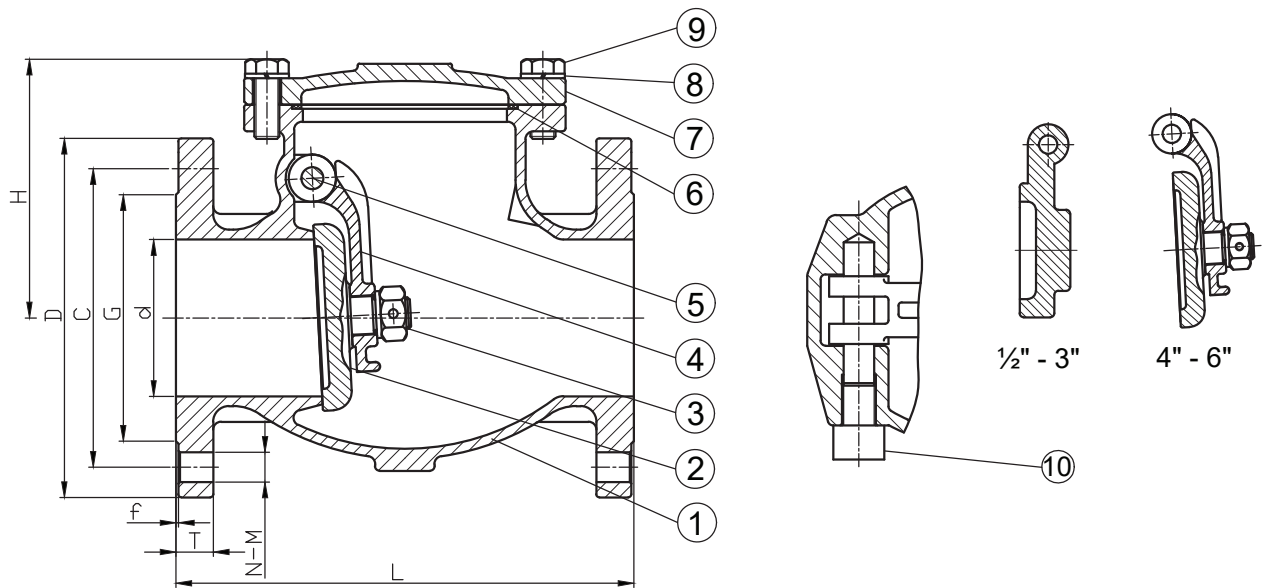
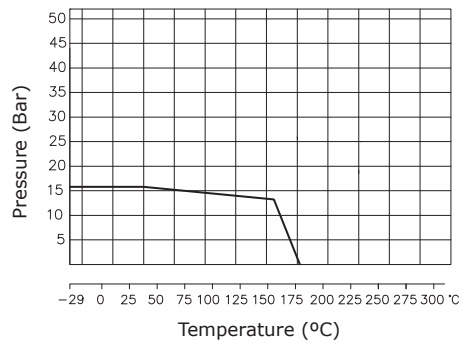
Pressure/Temperature Specifications

Pressure	PN16
Temperature	-29°C to 180°C

Material Specifications

1. Body	1.4408 Stainless Steel
2. Disc	1.4408 Stainless Steel
3. Nut	AISI 316 Stainless Steel
4. Arm Hinge	1.4408 Stainless Steel
5. Hinge Pin	AISI 316 Stainless Steel
6. Gasket	PTFE
7. Cap	1.4408 Stainless Steel
8. Spring Washers	AISI 304 Stainless Steel
9. Bolt	AISI 304 Stainless Steel
10. Bolt	AISI 304 Stainless Steel

Pressure / Temperature Chart



Dimensions

Size	d	L	H	D	C	G	f	T	N x M	Kg
1"	25	127	64	115	85	65	2	16	4 - 14	3.1
1½"	40	165	75	150	110	84	3	16	4 - 18	6.1
2"	50	203	98	165	125	99	3	18	4 - 18	8.5
2½"	65	216	112	185	145	118	3	18	4 - 18	12.2
3"	80	241	124	200	160	132	3	20	8 - 18	16.8
4"	100	292	161	220	180	156	3	20	8 - 18	25.8
6"	150	356	205	285	240	211	3	22	8 - 22	50.0