

Stainless Steel Swing Check Valve - Flanged ANSI 150

LV 6865

Flanged ANSI 150, CF8M Stainless Steel Body, Cover & Disc



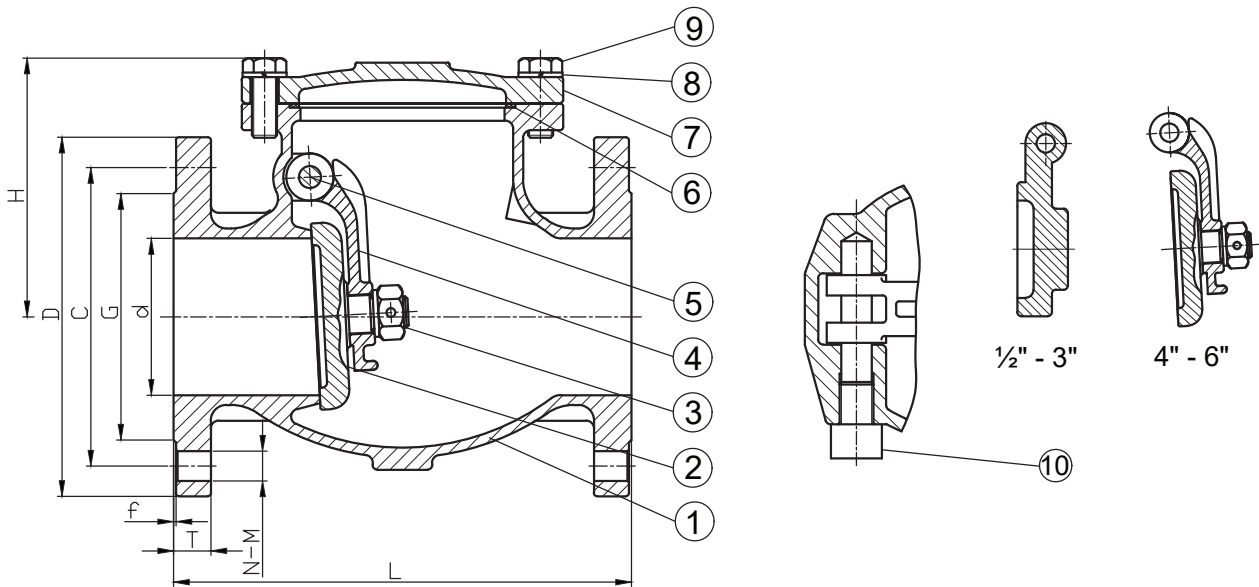
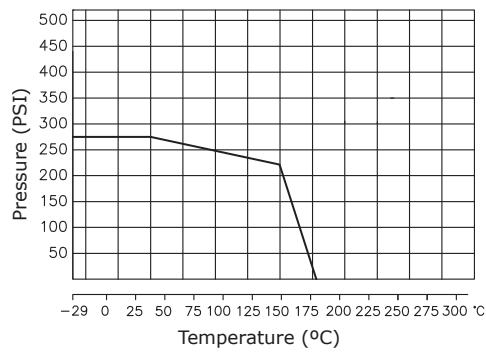
Pressure/Temperature Specifications

Pressure	Class 150
Temperature	-29°C to 180°C

Material Specifications

1. Body	CF8M Stainless Steel
2. Disc	CF8M Stainless Steel
3. Nut	AISI 316 Stainless Steel
4. Arm Hinge	CF8M Stainless Steel
5. Hinge Pin	AISI 316 Stainless Steel
6. Gasket	PTFE
7. Cap	CF8M Stainless Steel
8. Spring Washers	AISI 304 Stainless Steel
9. Bolt	AISI 304 Stainless Steel
10. Bolt	AISI 304 Stainless Steel

Pressure / Temperature Chart



Dimensions

Size	d	L	H	D	C	G	f	T	N x M	Kg
1"	25	127	64	108	79.5	51	1.6	11.1	4 - 16	3.1
1½"	40	165	75	127	98.5	73	1.6	14.3	4 - 16	6.1
2"	50	203	97	152	120.5	92	1.6	15.9	4 - 19	8.5
2½"	65	216	111	178	139.5	105	1.6	17.5	4 - 19	12.2
3"	80	241	120	190	152.5	127	1.6	19.1	4 - 19	16.8
4"	100	292	162	229	190.5	157	1.6	23.9	8 - 19	25.8
6"	150	356	203	279	241.5	216	1.6	25.4	8 - 22	50.0