

Stainless Steel Wafer Pattern Butterfly Valve - Viton Liner

LV 9955

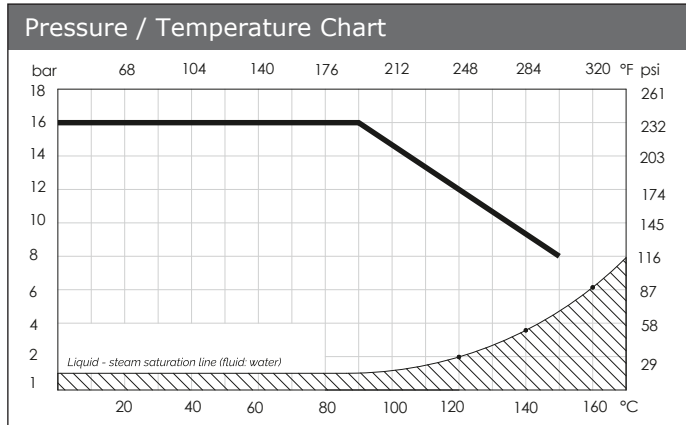
ISO 5211 for Direct Mount, Stainless Steel Body & Disc, Viton Liner,
Stainless Steel Lever Operation.

Complies with 97/23/CE (PED) Directive CE 1115.



| Pressure / Temperature Specifications | |
|---------------------------------------|-----------------------------|
| Pressure | PN16 |
| Temperature | -10°C to 140°C (150°C Peak) |

| Material Specifications | |
|-------------------------|--------------------------|
| 1. Body | CF8M Stainless Steel |
| 2. Disc | CF8M Stainless Steel |
| 3. Stem | AISI 316 Stainless Steel |
| 4. Liner | Viton |
| 5. Bushing | PTFE |
| 6. Washer | A4 Stainless Steel |
| 7. Circlip | A4 Stainless Steel |
| 8. O-ring | Viton |
| 9. Lever | Stainless Steel |
| 10. Bolts | A4 Stainless Steel |



| Weight | | |
|--------|------------|--------------|
| Size | with Lever | with Gearbox |
| 2" | 2.1 | 6.1 |
| 2½" | 2.4 | 6.4 |
| 3" | 3.1 | 6.9 |
| 4" | 4.1 | 7.9 |
| 5" | 6.1 | 9.4 |
| 6" | 7.5 | 10.8 |
| 8" | 14.1 | 21.4 |

| Operating Torque (Nm, without Safety) | | | | |
|---------------------------------------|-------|-------|--------|--------|
| Size | 3 Bar | 6 Bar | 10 Bar | 16 Bar |
| 2" | 11.3 | 12.0 | 13.0 | 13.0 |
| 2½" | 17.0 | 18.0 | 20.0 | 21.0 |
| 3" | 23.0 | 25.0 | 26.0 | 28.0 |
| 4" | 33.0 | 36.0 | 40.0 | 44.0 |
| 5" | 48.0 | 54.0 | 61.0 | 68.0 |
| 6" | 68.0 | 78.0 | 88.0 | 99.0 |
| 8" | 120.0 | 134.0 | 148.0 | 162.0 |

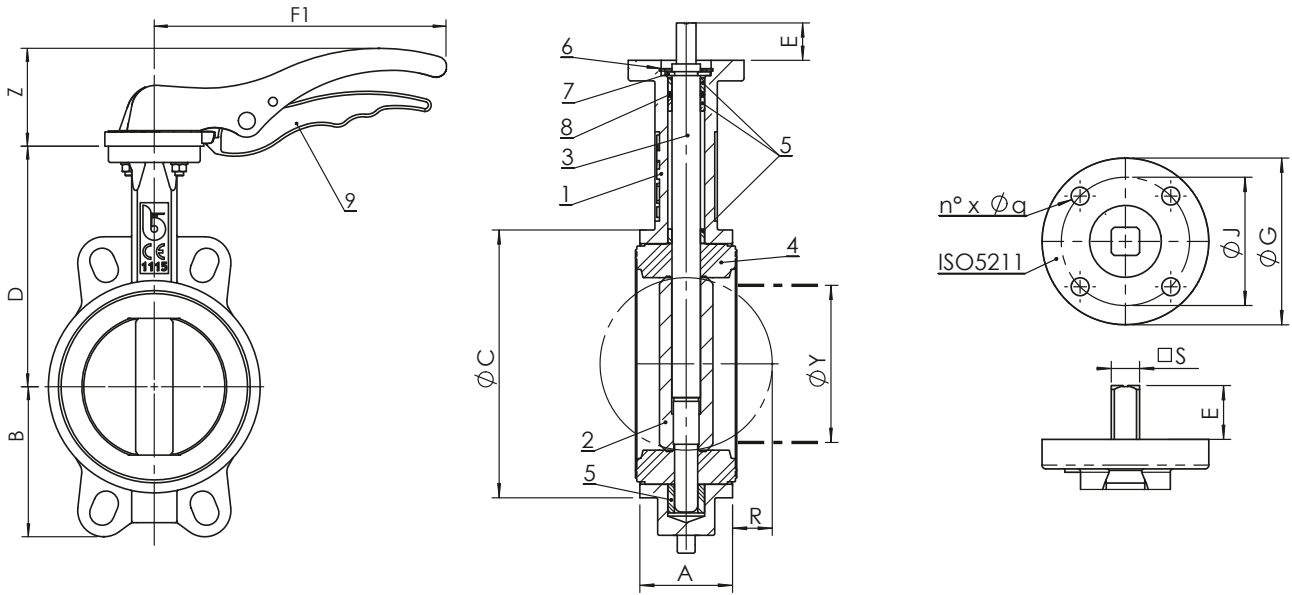
| KV Values | | | | | | | | | |
|-----------|------|------|-------|-------|-------|-------|--------|--------|--------|
| Size | 10° | 20° | 30° | 40° | 50° | 60° | 70° | 80° | 90° |
| 2" | 0.05 | 2.6 | 6.0 | 13.0 | 23.0 | 38.0 | 60.0 | 91.0 | 99.0 |
| 2½" | 0.00 | 3.8 | 14.0 | 33.0 | 53.0 | 75.0 | 98.0 | 108.0 | 108.0 |
| 3" | 0.17 | 7.8 | 16.0 | 34.0 | 60.0 | 100.0 | 158.0 | 237.0 | 261.0 |
| 4" | 0.26 | 15.0 | 31.0 | 67.0 | 120.0 | 199.0 | 314.0 | 471.0 | 518.0 |
| 5" | 0.43 | 25.0 | 53.0 | 115.0 | 205.0 | 339.0 | 535.0 | 803.0 | 883.0 |
| 6" | 0.69 | 39.0 | 82.0 | 177.0 | 316.0 | 522.0 | 827.0 | 1241.0 | 1364.0 |
| 8" | 2.6 | 52.0 | 142.0 | 250.0 | 450.0 | 713.0 | 1122.0 | 1723.0 | 2716.0 |

| Flange Suitability | | | | | | |
|--------------------|-----|------|------|----------|---------|---------|
| Size | PN6 | PN10 | PN16 | ANSI 150 | Table D | Table E |
| 2" | ✓ | ✓ | ✓ | ✓ | ✓ | ✓ |
| 2½" | ✓ | ✓ | ✓ | ✓ | | |
| 3" to 8" | ✓ | ✓ | ✓ | ✓ | ✓ | ✓ |

Continues on Page 2

Stainless Steel Wafer Pattern Butterfly Valve - Viton Liner

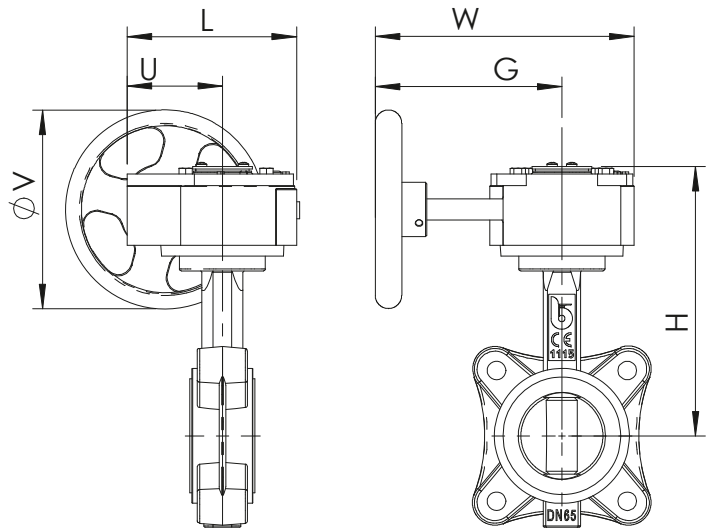
LV 9955



| Dimensions | | | | | | | | |
|------------|----|-----|-----|-----|-----|----|-----|----|
| Size | A | B | ØC | D | F1 | R | ØY | Z |
| 2" | 43 | 62 | 89 | 126 | 170 | 5 | 31 | 50 |
| 2½" | 46 | 69 | 102 | 136 | 170 | 9 | 45 | 50 |
| 3" | 46 | 90 | 118 | 150 | 206 | 17 | 65 | 69 |
| 4" | 52 | 106 | 150 | 170 | 206 | 26 | 90 | 69 |
| 5" | 56 | 119 | 174 | 180 | 285 | 34 | 110 | 90 |
| 6" | 56 | 131 | 205 | 200 | 285 | 50 | 146 | 90 |
| 8" | 60 | 166 | 260 | 230 | 400 | 71 | 194 | 72 |

| Mounting Plate Dimensions | | | | | | |
|---------------------------|-----|-----|-----|---------|----|----|
| Size | ISO | G | J | No x Øq | S | E |
| 2" | F05 | 65 | 50 | 4 x 7 | 9 | 21 |
| 2½" | F05 | 65 | 50 | 4 x 7 | 9 | 21 |
| 3" | F05 | 65 | 50 | 4 x 7 | 11 | 21 |
| 4" | F05 | 65 | 50 | 4 x 7 | 11 | 21 |
| 5" | F07 | 90 | 70 | 4 x 9 | 14 | 27 |
| 6" | F07 | 90 | 70 | 4 x 9 | 14 | 27 |
| 8" | F10 | 125 | 102 | 4 x 11 | 17 | 27 |

| Dimensions with Gearbox | | | | | | |
|-------------------------|-----|-----|-----|-----|-----|-----|
| Size | L | U | H | W | G | V |
| 2" | 130 | 77 | 188 | 225 | 170 | 150 |
| 2½" | 130 | 77 | 198 | 225 | 170 | 150 |
| 3" | 130 | 77 | 212 | 225 | 170 | 150 |
| 4" | 130 | 77 | 232 | 225 | 170 | 150 |
| 5" | 130 | 77 | 242 | 225 | 170 | 150 |
| 6" | 130 | 77 | 262 | 225 | 170 | 150 |
| 8" | 180 | 104 | 308 | 338 | 260 | 300 |

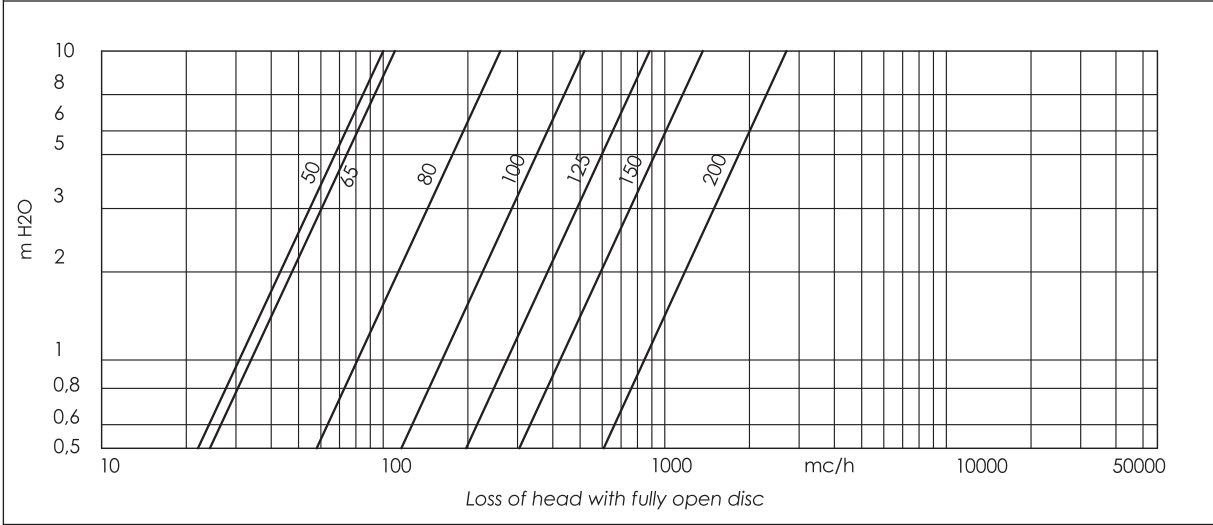


Continues on Page 3

Stainless Steel Wafer Pattern Butterfly Valve - Viton Liner

LV 9955

Head Loss Chart (Fluid: Water [1m H₂O = 0.098 Bar] Head Loss with Valve Fully Opened)



Flow Rate / Opening Position Chart (Flow percentage on the flow at full opening under the same head loss)

