

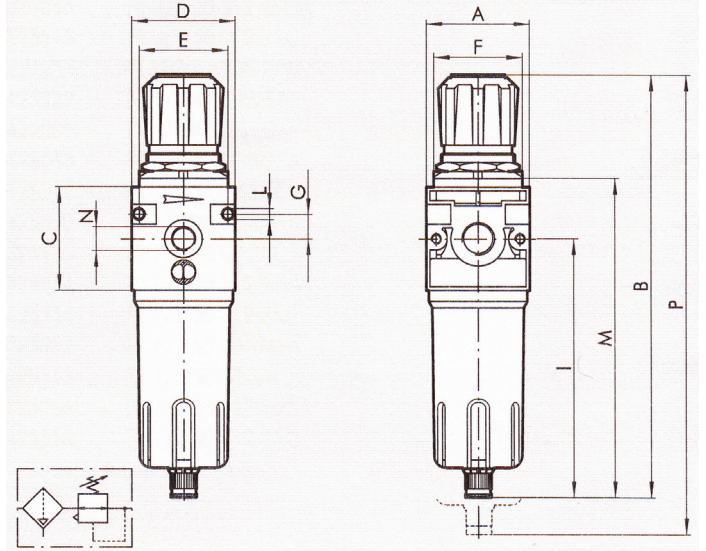
# Filter / Regulator - Semi Auto Drain

Metal Body, Aluminium Bowl, NBR Gaskets & Seals, Sintered Bronze Filter, 20 Micron as standard, Screwed BSPP, 1/8" Gauge Port, Regulate 0 to 8 Bar



Max Pressure 18 Bar,  
Max Temperature 50°C

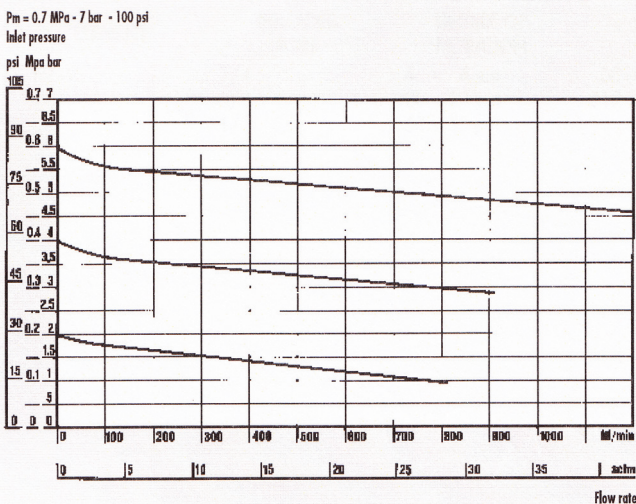
| Technical Data                |                    |         |         |
|-------------------------------|--------------------|---------|---------|
| Size                          | 1/4"               | 3/8"    | 1/2"    |
| Setting Range                 | 0 to 8 Bar         |         |         |
| Degree of Filtration          | 20µm               |         |         |
| Flow Rate at 6.3 bar l/m      | 260                | 1000    | 1000    |
| Δ P 0.5 Bar                   | 9.2                | 35.5    | 35.5    |
| Flow Rate at 6.3 bar l/m      | 700                | 2500    | 2500    |
| Δ P 1.0 Bar                   | 25                 | 88.5    | 88.5    |
| Fluid                         | Compressed Air     |         |         |
| Weight Kg                     | 0.5                | 1.0     | 1.0     |
| Wall Fixing Screws            | M4 x 40            | M4 x 55 | M4 x 55 |
| Bowl Capacity CM <sup>3</sup> | 10                 | 45      | 45      |
| Mounting Position             | Vertical           |         |         |
| Drain                         | Manual - Semi Auto |         |         |



| Dimensions |    |     |         |     |     |          |
|------------|----|-----|---------|-----|-----|----------|
| DN         | A  | B   | C       | D   | E   | F        |
| 1/4"       | 42 | 190 | 42      | 42  | 36  | 30 X 1.5 |
| 3/8"       | 60 | 245 | 60      | 60  | 52  | 38 x 2   |
| 1/2"       | 60 | 245 | 60      | 60  | 52  | 38 x 2   |
| DN         | G  | I   | L       | M   | N   | P        |
| 1/4"       | 10 | 121 | M4 Hole | 145 | 1/8 | 233      |
| 3/8"       | 14 | 150 | M4 Hole | 185 | 1/8 | 295      |
| 1/2"       | 14 | 150 | M4 Hole | 185 | 1/8 | 295      |

| Material List             |                                |
|---------------------------|--------------------------------|
| Zamak Body                | OT58 Brass Adjusting Screw     |
| Aluminium Bowl            | OT58 Brass Nut                 |
| Technopolymer Bell        | Technopolymer Ring Nut         |
| Technopolymer Knob        | OT58 Brass Rod                 |
| Technopolymer Piston Rod  | NBR Vulcanised Gasket          |
| Technopolymer Plug        | Steel Adjusting Spring         |
| Technopolymer Centrifuge  | NBR Lip Seal                   |
| Technopolymer Baffle Plug | NBR Relieving Seal             |
| Technopolymer Screen      | Steel Valve Compression Spring |
| Technopolymer Bowl        | Sintered HDPE Filter Cartridge |
| Drain (RMSA)              | NBR Gaskets                    |

FR 1/4



FR 3/8 - 1/2

