

Brass Gauge Cock

PGC 86

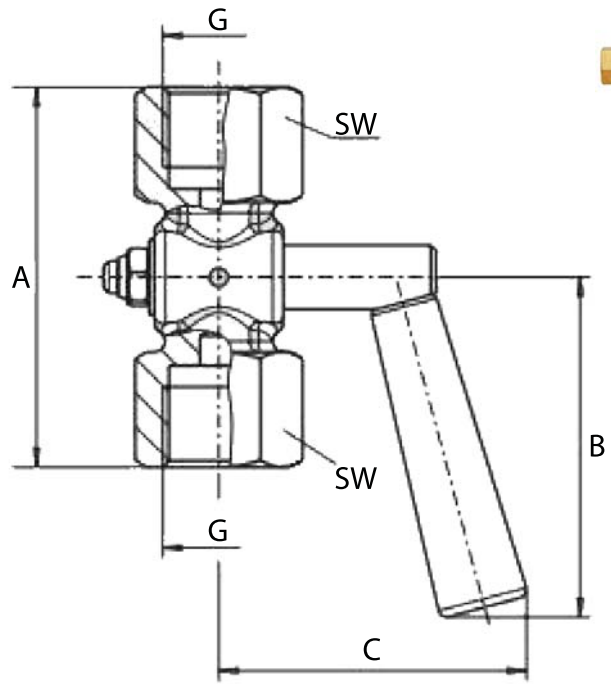
Screwed BSPP, Female x Female

Pressure / Temperature Specifications

Maximum Pressure	PN25
Maximum Temperature	50°C

Dimensions

G	A	B	C	SW	Kg
1/4"	48	29	30	17	0.06
3/8"	62	64	43	22	0.14
1/2"	71	64	57	27	0.25



Last updated 29/09/2020