

Brass Solenoid Valve - Direct Acting 2/2

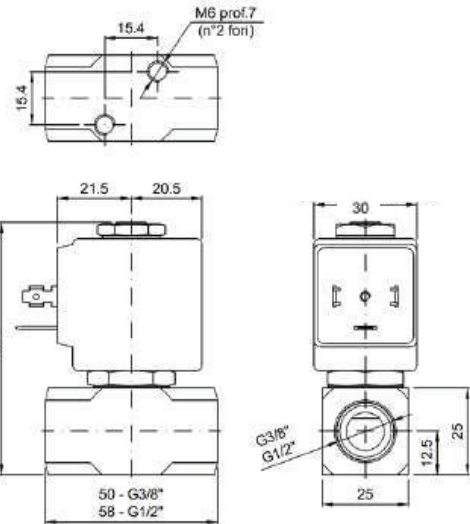
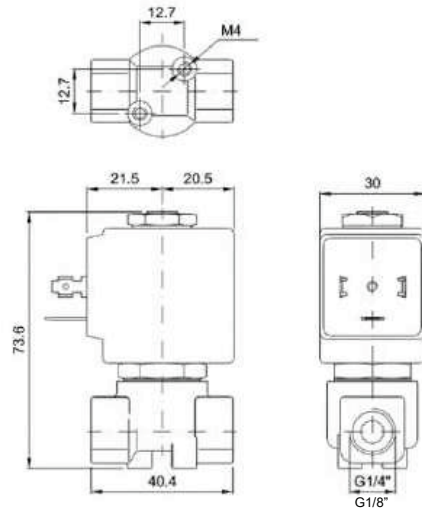
RA C1

Screwed BSP, Direct Acting, Normally Closed, 2/2 Way, Brass Body, Viton Diaphragm, 24, 230V AC & 24V DC



Pressure / Temperature Specifications	
Minimum Pressure	0
Maximum Pressure 1/8" to 3/8"	10 Bar (AC) 8 Bar (DC)
Maximum Pressure 1/2"	6 Bar (AC) 4 Bar (DC)
Temperature	-10°C to 160°C

Material Specifications	
1. Body	CW617N Brass
2. Armature Tube	AISI 303 Stainless Steel
3. Plunger & Core	430Fr Stainless Steel
4. Springs	AISI 302 Stainless Steel
5. Seal	Viton



Additional Information			
Size	Orifice	KV	Coil Type
1/8"	3.5mm	0.32	3000
1/4"	3.5mm	0.32	3000
3/8"	3.5mm	0.32	3000
1/2"	4.5mm	0.41	3000

3000 Coil Information					
Voltage	Width	AC VA Inrush	AC VA Holding	DC Watt	Standard
24V DC	30mm	-	-	10	DIN 43650A
24V AC	30mm	15	12	-	DIN 43650A
230V AC	30mm	15	12	-	DIN 43650A